

HSF

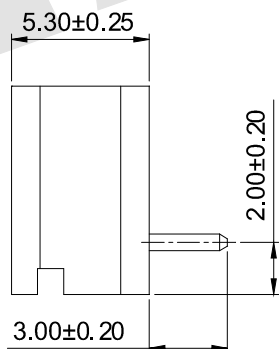
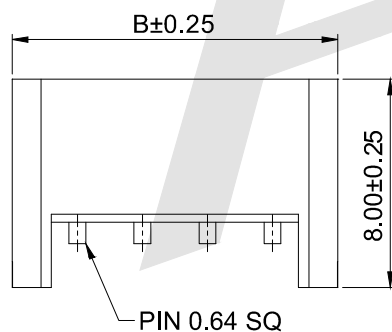
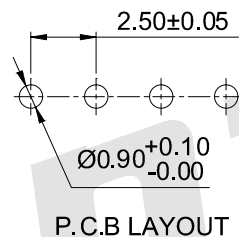
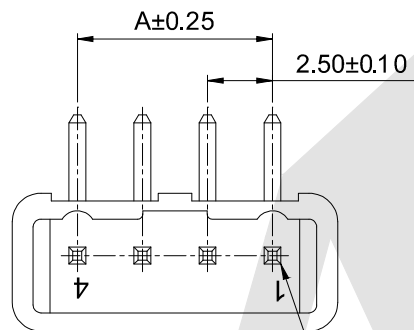
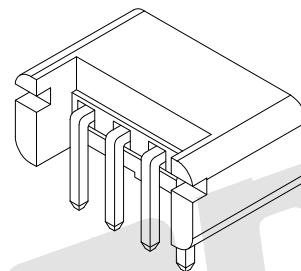


SPECIFICATIONS

- Voltage rating: 500V AC,DC
- Current rating: 3A AC,DC
- Withstanding Voltage: 1000V AC/minute
- Insulation resistance: 500MΩ min
- Temperature range: -40°C~+105°C

WAFER

- Part NO: AW2511R-XP
- Material: Pin: Brass/Tin over Nickel
Insulator: Nylon 66, UL94V-0
- Mates with: AH2511 series Housing
- Color: Black



Ordering Information & Dimensions:

PART NO.	Dimensions	
	A	B
AW2511R-2P	2.50	7.50
AW2511R-3P	5.00	10.00
AW2511R-4P	7.50	12.50
AW2511R-5P	10.00	15.00
AW2511R-6P	12.50	17.50
AW2511R-7P	15.00	20.00
AW2511R-8P	17.50	22.50
AW2511R-9P	20.00	25.00
AW2511R-10P	22.50	27.50
AW2511R-11P	25.00	30.00
AW2511R-12P	27.50	32.50
AW2511R-13P	30.00	35.00
AW2511R-14P	32.50	37.50
AW2511R-15P	35.00	40.00

Unit: mm

Unless Otherwise specified tolerance
 X. ±0.35 X.XX: ±0.20
 X.X: ±0.25 X.XXX: ±0.15



ANTENK ELECTRONICS CO., LTD
[Http://www.antenk.com](http://www.antenk.com)
 E-mail:sales@antenk.com

SCALE: As Shown	UNIT: mm
DRAW Jack Bao	DATE 5/11/2018
CHECK Bob Yang	DATE 5/11/2018

TITLE: 2.50mm pitch 90° Wafer Connector Series



DRAWING NO: AW2511R-XP

PRODUCT NO: AW2511R-XP

REV	DESCRIPTION	DATE