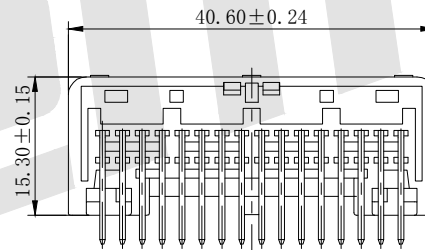
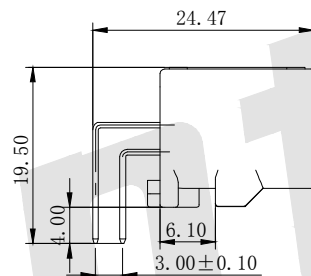
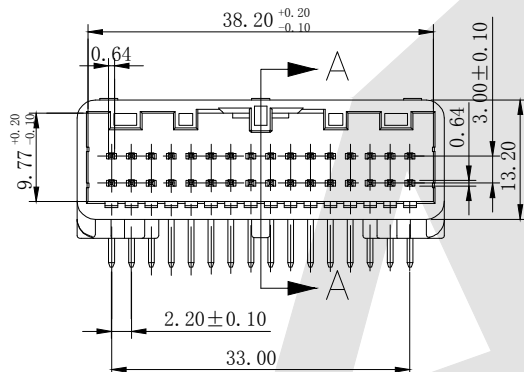
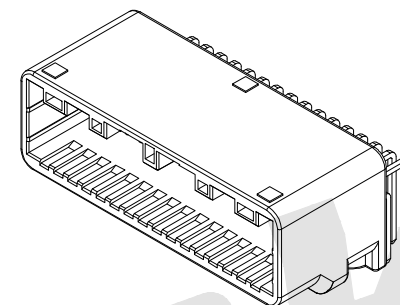


Section A-A



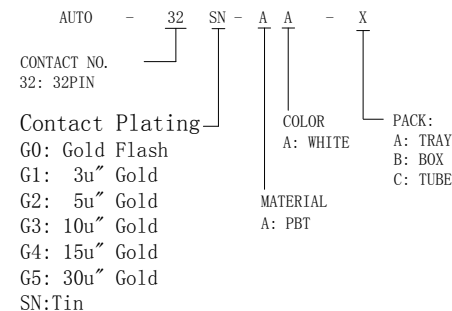
NOTE:

- 1. MATERIAL:
  - 1.1 HOUSING: PBT+GF15 (WHITE)
  - 1.2 CONTACT: COPPER TIN PLATED

The unmarked tolerance shall be in accordance with GB / T 1804-92 grade M

Size Range	0-5	5-20	20-45	45-70	70-100	100-250	$\geq 250$	Angle
Undeclared Tolerance	$\pm 0.15$	$\pm 0.2$	$\pm 0.3$	$\pm 0.4$	$\pm 0.5$	$\pm 0.7$	$\pm 0.15$	$\pm 2^\circ$

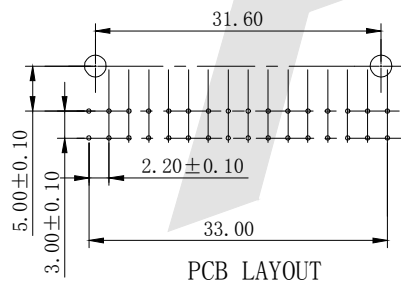
Ordering Code:



Contact Plating

- G0: Gold Flash
- G1: 3u" Gold
- G2: 5u" Gold
- G3: 10u" Gold
- G4: 15u" Gold
- G5: 30u" Gold
- SN: Tin

MATERIAL  
A: PBT



PCB LAYOUT

Unless Otherwise specified tolerance  
 X.  $\pm 0.35$  X.XX:  $\pm 0.20$   
 X.X:  $\pm 0.25$  X.XXX:  $\pm 0.15$

**Antenk** ANTENK ELECTRONICS CO., LTD  
[Http://www.antenk.com](http://www.antenk.com)  
 E-mail:sales@antenk.com

SCALE: As Shown UNIT: mm  
 DRAW Wu Feng Rong DATE 07/13/2021  
 CHECK BobYang DATE 07/13/2021

TITLE:  
P2. 2\*3 32P Automotive Right Angle Male Connector

DRAWING NO: AUTO-32SN-AA-X

PRODUCT NO: AUTO-32SN-AA-X



REV	DESCRIPTION	DATE