



Ordering Information:
AW2549VB-xP **..**

1 2 3

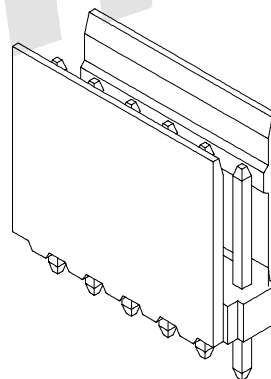
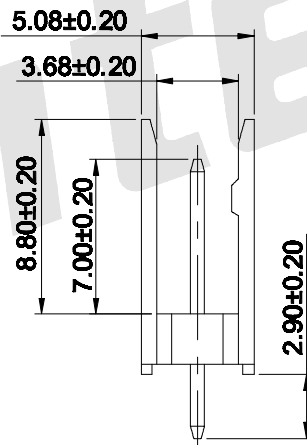
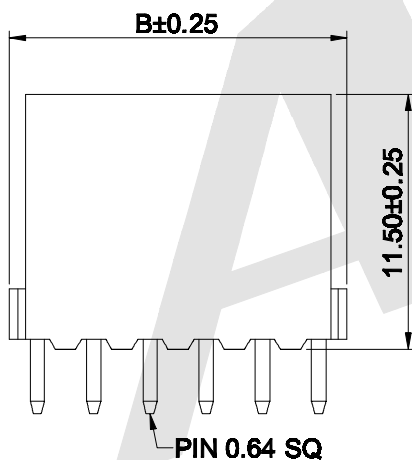
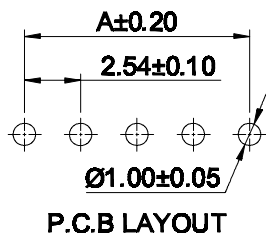
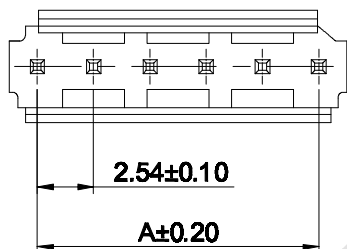
1. Part No.
2. Color:
(blank): Blue
BK: Black
3. Finish:
(Blank)-Tin Over Nickel
G-Gold Over Nickel

SPECIFICATIONS

- Voltage rating: 250V AC, DC
- Current rating: 3A AC, DC
- Withstanding Voltage: 1000V AC/minute
- Insulation resistance: 1000MΩ min
- Temperature range: -40°C → +105°C

WAFER

- Part NO: AW2549VB-xP
- Material: Pin: Brass/Tin over Nickel
Insulator: Nylon 66, UL94V-0
- Mates with: AH2549B AH2550A series Housing
- Color: Blue



Ordering Information & Dimensions:

Poles	Part No.	Dimensions (mm)	
		A	B
02	AW2549VB-02P	2.54	5.08
03	AW2549VB-03P	5.08	7.62
04	AW2549VB-04P	7.62	10.16
05	AW2549VB-05P	10.16	12.70
06	AW2549VB-06P	12.70	15.24
07	AW2549VB-07P	15.24	17.78
08	AW2549VB-08P	17.78	20.32
10	AW2549VB-10P	22.86	25.40
12	AW2549VB-12P	27.94	30.48
15	AW2549VB-15P	35.56	38.10
17	AW2549VB-17P	40.64	43.18
18	AW2549VB-18P	43.18	45.72

Unit:mm

Unless Otherwise specified tolerance
I ±0.35 I, XX: ±0.20
I, X: ±0.25 I, XXX: ±0.15

SCALE: As Shown UNIT: mm
DRAW Jack Bao DATE 07/18/2018
CHECK Bob Yang DATE 07/18/2018



Antenk ANTENK ELECTRONICS CO., LTD
Http://www.antenk.com
E-mail:sales@antenk.com

TITLE: 2.54mm pitch Single Row 180° Wafer Connector Series

DRAWING NO: AW2549VB-xP

PRODUCT NO: AW2549VB-xP

REV	DESCRIPTION	DATE
1		
2		
3		
4		
5		