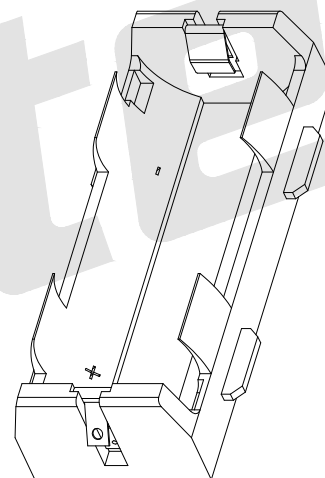
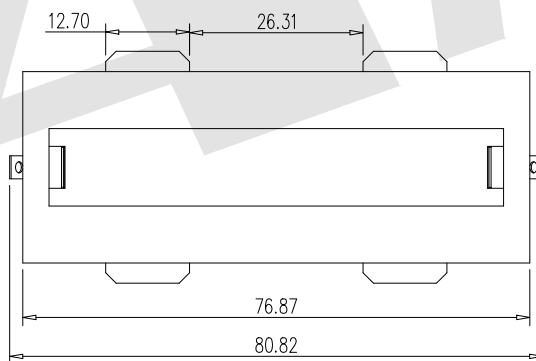
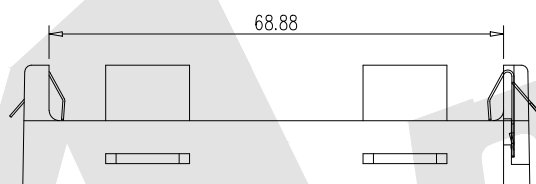
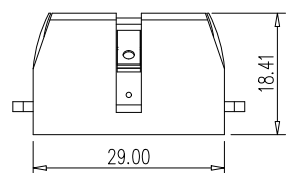
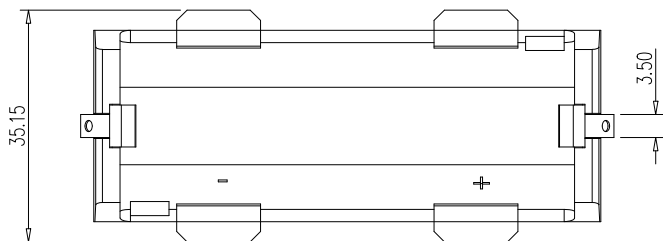


HSF



NOTE 说明:

1. BASE 底座:

MAT'L 材质: PA46+15%GF, BLACK

2. CONTACT:

MAT'L: 0.3MM THK STAINLESS STEEL

BBC - W - G0 - A - 107
① ② ③ ④ ⑤

① BBC: Battery Holder 电池盒

② Appearance for the product 连接形式

W: Solder Tail

③ Contact Plating 端子电镀

SI: Tin NICKEL Plated 锡镍合金

SN: Tin 锡

G0: Gold flash 普金

G1: 3U" Gold 金

④ Packing method 包装方式

A: Tray packing 吸塑盒装

B: BAG 袋装

⑤ Product number 产品编号

107

G2: 5U" Gold 金

G3: 10U" Gold 金

G4: 15U" Gold 金

G5: 30U" Gold 金

Unless Otherwise specified tolerance
X.±0.35 X.XX:±0.20
X.X:±0.25 X.XXX:±0.15

SCALE:
As Shown

UNIT:
mm

DRAW
ZLA

DATE
05/17/2023

CHECK
BobYang

DATE
05/17/2023

VER./版本号



Antenk ANTENK ELECTRONICS CO.,LTD
Http://www.antenk.com
E-mail:sales@antenk.com

TITLE:
Single Battery Holder For 26650 Solder Tail

DRAWING NO: BBC-W-G0-A-107

PRODUCT NO: BBC-W-G0-A-107

MK/标记

DESCRIPTION/修订内容

DATE/日期(M/D/Y)

1 2 3 4 5 6 7 8