

SPECIFICATIONS:

- Voltage rating: 250V AC/DC
- Current rating: 3A AC/DC
- Withstanding Voltage: 1000V AC/minute
- Insulation resistance: 1000MΩ Min.
- Temperature range: -25°C To +85°C
- Contact resistance: 20mΩ Max.

Standards

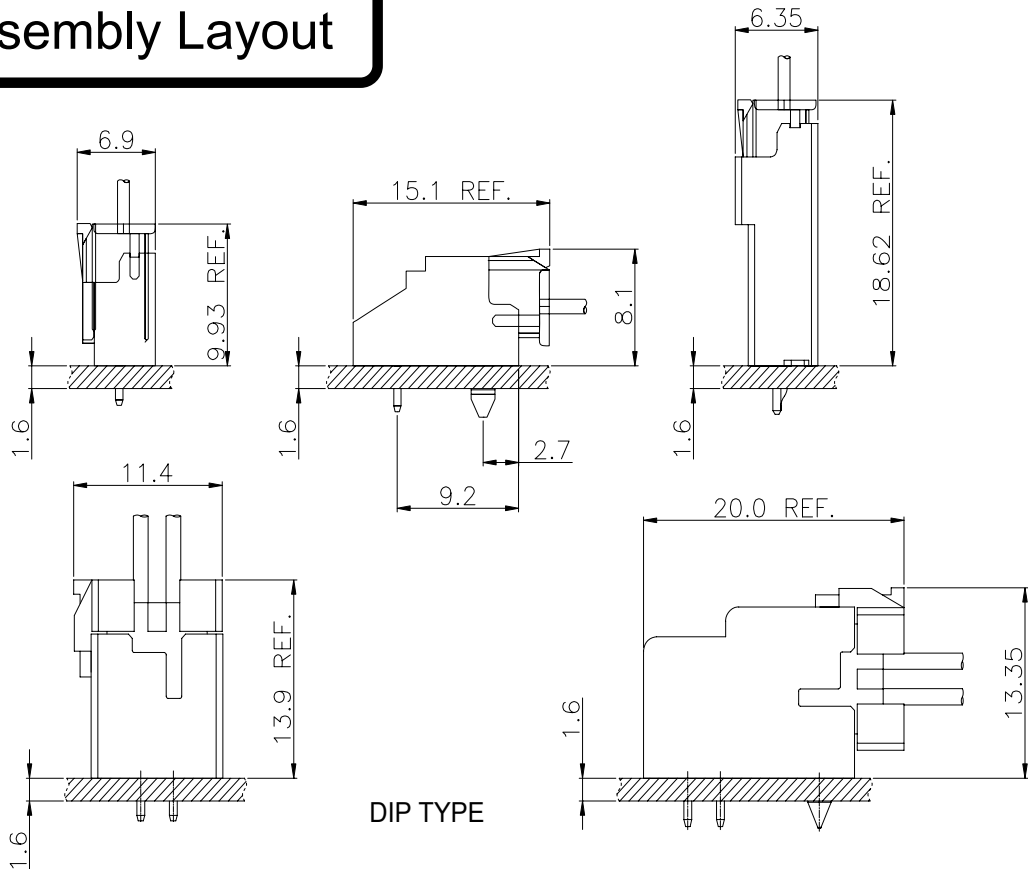
HSF



RoHS

Wire to Board

Assembly Layout

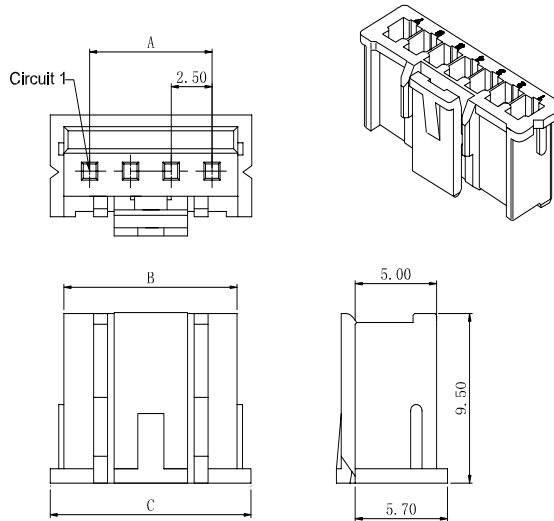


Connectors Expert Around You

2.50mm Pitch housing connector

HOUSING

- Part NO.:AH2508-xP
- Suitable:AT2508T series Terminal
- Mates with:AW2508 series Wafer
- Material:Nylon 66,UL94V-0
- Color:White



Ordering Information & Dimensions

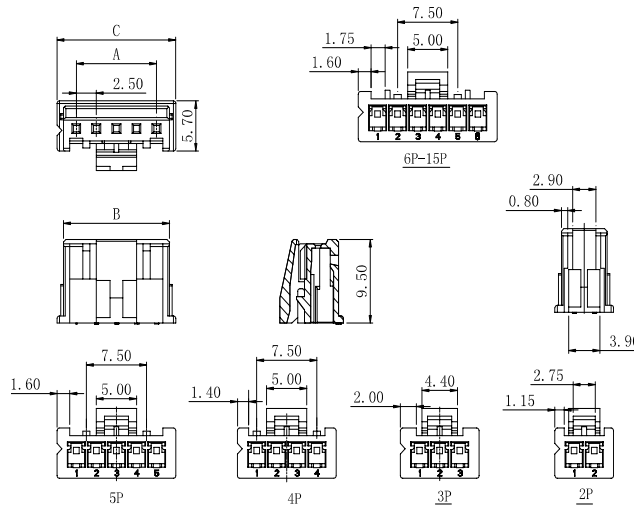
PART NO.	Dimensions		
	A	B	C
AH2508-2P	2.50	5.64	7.30
AH2508-3P	5.00	8.14	9.80
AH2508-4P	7.50	10.64	12.30
AH2508-5P	10.00	13.14	14.80
AH2508-6P	12.50	15.64	17.30
AH2508-7P	15.00	18.14	19.80
AH2508-8P	17.50	20.64	22.30
AH2508-9P	20.00	23.14	24.80
AH2508-10P	22.50	25.64	27.30
AH2508-11P	25.00	28.14	29.80
AH2508-12P	27.50	30.64	32.30
AH2508-13P	30.00	33.14	34.80
AH2508-14P	32.50	35.64	37.30
AH2508-15P	35.00	38.14	39.80

Wire to Board

2.50mm Pitch housing connector

HOUSING

- Part NO.:AH2508A-xP
- Suitable:AT2508T series Terminal
- Mates with:AW2508 series Wafer
- Material:Nylon 66,UL94V-0
- Color:Natural



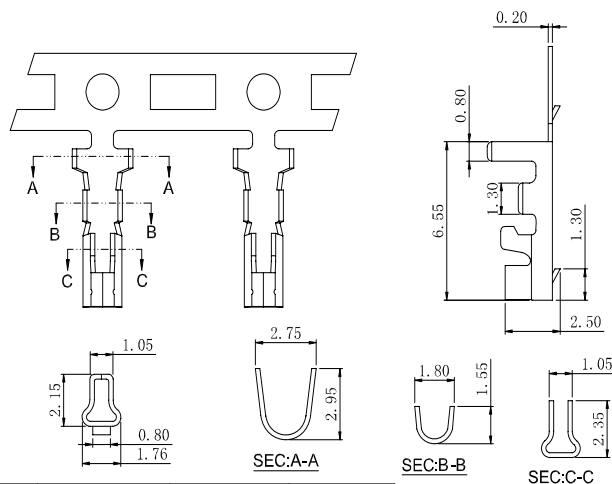
Ordering Information & Dimensions

PART NO.	Dimensions		
	A	B	C
AH2508A-2P	2.50	5.64	7.30
AH2508A-3P	5.00	8.14	9.80
AH2508A-4P	7.50	10.64	12.30
AH2508A-5P	10.00	13.14	14.80
AH2508A-6P	12.50	15.64	17.30
AH2508A-7P	15.00	18.14	19.80
AH2508A-8P	17.50	20.64	22.30
AH2508A-9P	20.00	23.14	24.80
AH2508A-10P	22.50	25.64	27.30
AH2508A-11P	25.00	28.14	29.80
AH2508A-12P	27.50	30.64	32.30
AH2508A-13P	30.00	33.14	34.80
AH2508A-14P	32.50	35.64	37.30
AH2508A-15P	35.00	38.14	39.80

2.50mm Pitch crimp terminal connector

TERMINAL

- Part NO.:AT2508T-xP
- Applicable wire:AWG#22-#28
- Material:Phosphor Bronze
- Finish:Tin Plated or Gold
- Used in AH2508 series Housing



Ordering information & Specifications:

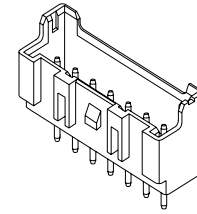
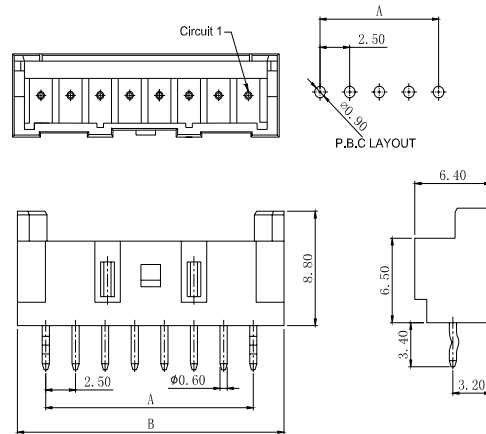
Part NO	Wire Range	Insulation O.D.	Material	Finish	Qty/reel
AT2508T-TP	AWG#22-#28	1.90mm(max)	Phosphor Bronze	Tin over Nickel	10,000 PCS
AT2508T-GP	AWG#22-#28	1.90mm(max)	Phosphor Bronze	Gold over Nickel	10,000 PCS

Connectors Expert Around You

2.50mm Pitch 180° wafer connector

WAFER

- Part NO.:AW2508V-xP
- Material:Pin:Brass/Tin over Nickel
- Insulator:Nylon 66,UL94V-0
- Mates with:AH2508 series Housing
- Color:Ivory



Ordering Information & Dimensions

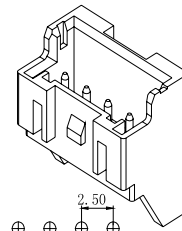
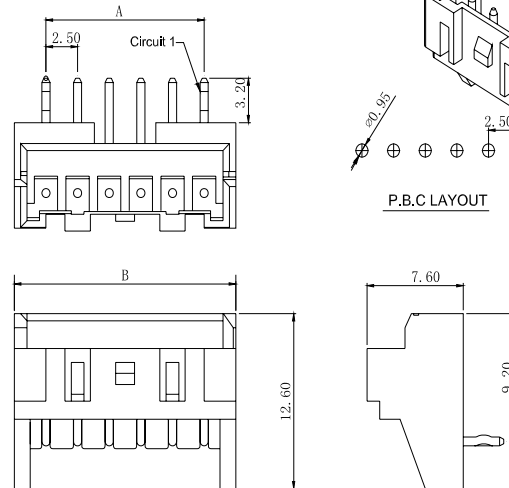
PART NO.	Dimensions	
	A	B
AW2508V-2P	2.50	7.50
AW2508V-3P	5.00	10.00
AW2508V-4P	7.50	12.50
AW2508V-5P	10.00	15.00
AW2508V-6P	12.50	17.50
AW2508V-7P	15.00	20.00
AW2508V-8P	17.50	22.50
AW2508V-9P	20.00	25.00
AW2508V-10P	22.50	27.50
AW2508V-11P	25.00	30.00
AW2508V-12P	27.50	32.50
AW2508V-13P	30.00	35.00
AW2508V-14P	32.50	37.50
AW2508V-15P	35.00	40.00

Wire to Board

2.50mm Pitch 90° wafer connector

WAFER

- Part NO.:AW2508R-xP
- Material:Pin:Brass/Tin over Nickel
- Insulator:Nylon 66,UL94V-0
- Mates with:AH2508 series Housing
- Color:Ivory



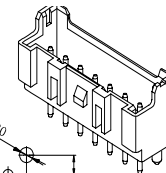
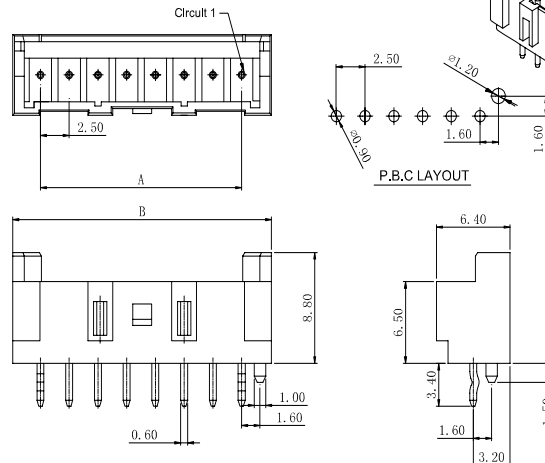
Ordering Information & Dimensions

PART NO.	Dimensions	
	A	B
AW2508R-2P	2.50	7.50
AW2508R-3P	5.00	10.00
AW2508R-4P	7.50	12.50
AW2508R-5P	10.00	15.00
AW2508R-6P	12.50	17.50
AW2508R-7P	15.00	20.00
AW2508R-8P	17.50	22.50
AW2508R-9P	20.00	25.00
AW2508R-10P	22.50	27.50
AW2508R-11P	25.00	30.00
AW2508R-12P	27.50	32.50
AW2508R-13P	30.00	35.00
AW2508R-14P	32.50	37.50
AW2508R-15P	35.00	40.00

2.50mm Pitch 180° wafer connector

WAFER

- Part NO.:AW2508V-F-xP
- Material:Pin:Brass/Tin over Nickel
- Insulator:Nylon 66,UL94V-0
- Mates with:AH2508 series Housing
- Color:Ivory



Ordering Information & Dimensions

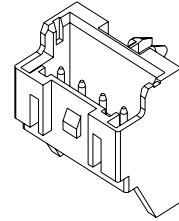
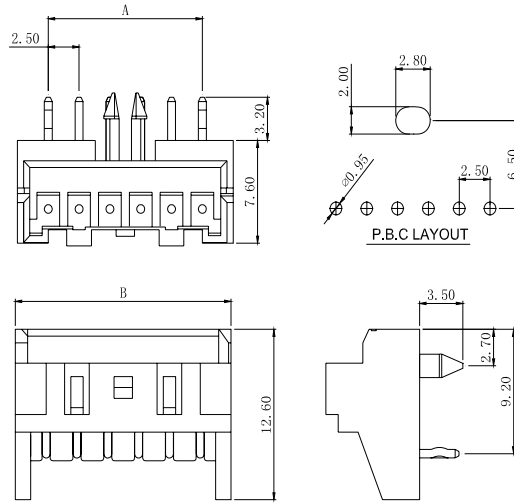
PART NO.	Dimensions	
	A	B
AW2508V-F-2P	2.50	7.50
AW2508V-F-3P	5.00	10.00
AW2508V-F-4P	7.50	12.50
AW2508V-F-5P	10.00	15.00
AW2508V-F-6P	12.50	17.50
AW2508V-F-7P	15.00	20.00
AW2508V-F-8P	17.50	22.50
AW2508V-F-9P	20.00	25.00
AW2508V-F-10P	22.50	27.50
AW2508V-F-11P	25.00	30.00
AW2508V-F-12P	27.50	32.50
AW2508V-F-13P	30.00	35.00
AW2508V-F-14P	32.50	37.50
AW2508V-F-15P	35.00	40.00

Connectors Expert Around You

2.50mm Pitch 90° wafer connector

WAFER

- Part NO.:AW2508R-F-xP
- Material:Pin:Brass/Tin over Nickel
Insulator:Nylon 66,UL94V-0
- Mates with:AH2508 series Housing
- Color:Ivory



Ordering Information & Dimensions

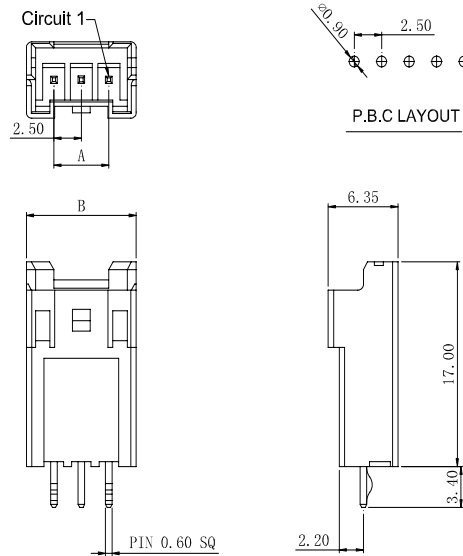
PART NO.	Dimensions	
	A	B
AW2508R-F-2P	2.50	7.50
AW2508R-F-3P	5.00	10.00
AW2508R-F-4P	7.50	12.50
AW2508R-F-5P	10.00	15.00
AW2508R-F-6P	12.50	17.50
AW2508R-F-7P	15.00	20.00
AW2508R-F-8P	17.50	22.50
AW2508R-F-9P	20.00	25.00
AW2508R-F-10P	22.50	27.50
AW2508R-F-11P	25.00	30.00
AW2508R-F-12P	27.50	32.50
AW2508R-F-13P	30.00	35.00
AW2508R-F-14P	32.50	37.50
AW2508R-F-15P	35.00	40.00

Wire to Board

2.50mm Pitch 180° wafer-high box type connector

WAFER

- Part NO.:AW2508V-xP-H
- Material:Pin:Brass/Tin over Nickel
Insulator:Nylon 66,UL94V-0
- Mates with:AH2508 series Housing
- Color:Ivory



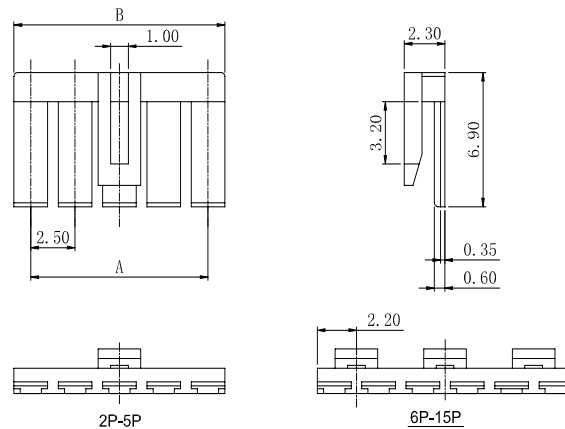
Ordering Information & Dimensions

PART NO.	Dimensions	
	A	B
AW2508V-2P-H	2.50	7.50
AW2508V-3P-H	5.00	10.00
AW2508V-4P-H	7.50	12.50
AW2508V-5P-H	10.00	15.00
AW2508V-6P-H	12.50	17.50
AW2508V-7P-H	15.00	20.00
AW2508V-8P-H	17.50	22.50
AW2508V-9P-H	20.00	25.00
AW2508V-10P-H	22.50	27.50
AW2508V-11P-H	25.00	30.00
AW2508V-12P-H	27.50	32.50
AW2508V-13P-H	30.00	35.00
AW2508V-14P-H	32.50	37.50
AW2508V-15P-H	35.00	40.00

2.50mm Pitch seal

HOUSING

- Part NO.:AS2508A-xP
- Mates with:AH2508A series Wafer
- Material:Nylon 66,UL94V-0
- Color:Natural



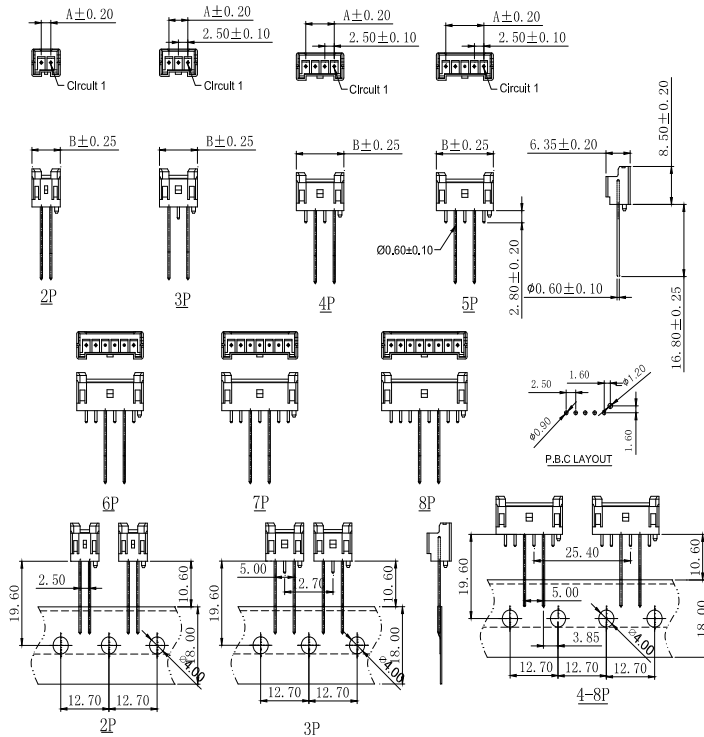
Ordering Information & Dimensions

PART NO.	Dimensions	
	A	B
AS2508A-2P	2.50	4.40
AS2508A-3P	5.00	6.90
AS2508A-4P	7.50	9.40
AS2508A-5P	10.00	11.90
AS2508A-6P	12.50	14.40
AS2508A-7P	15.00	16.90
AS2508A-8P	17.50	19.40
AS2508A-9P	20.00	21.90
AS2508A-10P	22.50	24.40
AS2508A-11P	25.00	26.90
AS2508A-12P	27.50	29.40
AS2508A-13P	30.00	31.90
AS2508A-14P	32.50	34.40
AS2508A-15P	35.00	36.90

2.50mm Pitch 180° wafer on radial-tape connector

WAFER

- Part NO.:AW2508VT-xP
- Material:Pin:Brass/Tin over Nickel
- Insulator:Nylon 66,UL94V-0
- Mates with:AH2508 series Housing
- Color:Ivory



Ordering Information & Dimensions

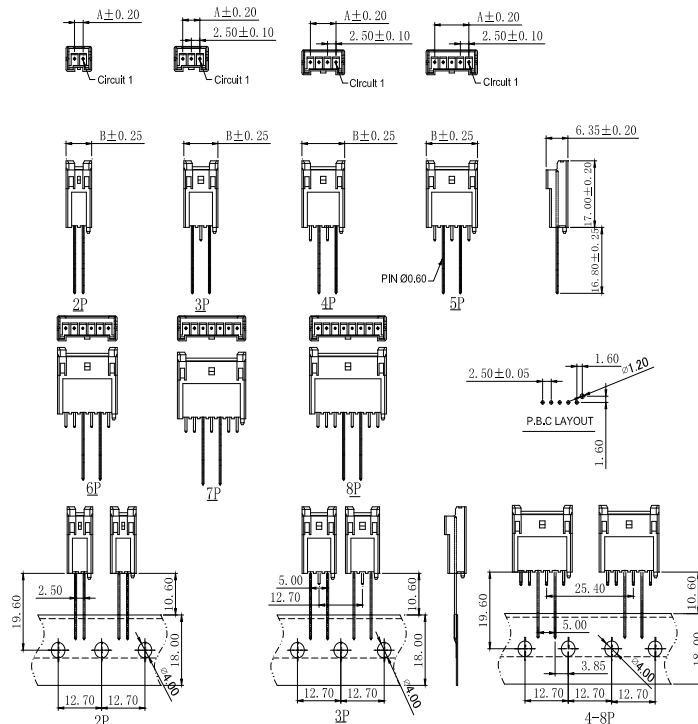
PART NO.	Dimensions	
	A	B
AW2508VT-F-2P	2.50	7.50
AW2508VT-F-3P	5.00	10.00
AW2508VT-F-4P	7.50	12.50
AW2508VT-F-5P	10.00	15.00
AW2508VT-F-6P	12.50	17.50
AW2508VT-F-7P	15.00	20.00
AW2508VT-F-8P	17.50	22.50

Unit: mm

2.50mm Pitch 180° wafer on radial-tape connector

WAFER

- Part NO.:AW2508VT-F-xP-H
- Material:Pin:Brass/Tin over Nickel
- Insulator:Nylon 66,UL94V-0
- Mates with:AH2508 series Housing
- Color:Ivory



Ordering Information & Dimensions

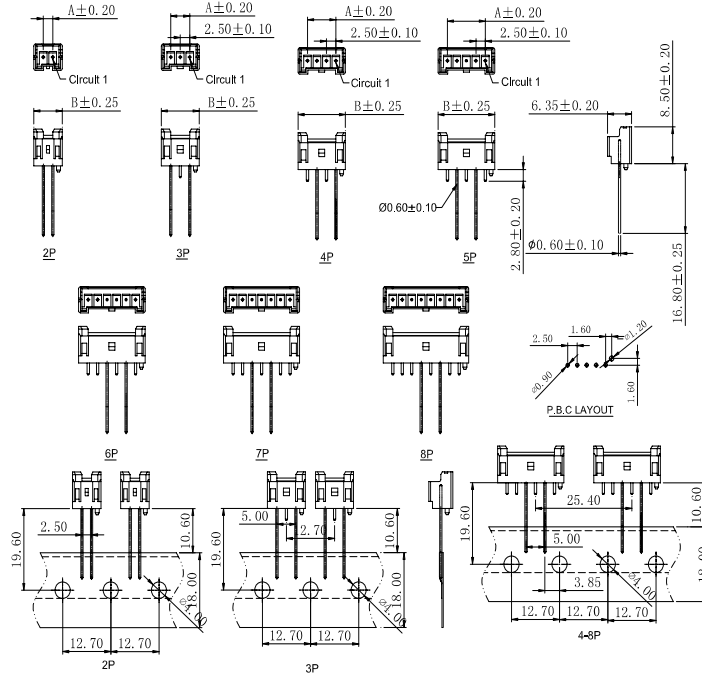
PART NO.	Dimensions	
	A	B
AW2508VT-F-2P-H	2.50	7.50
AW2508VT-F-3P-H	5.00	10.00
AW2508VT-F-4P-H	7.50	12.50
AW2508VT-F-5P-H	10.00	15.00
AW2508VT-F-6P-H	12.50	17.50
AW2508VT-F-7P-H	15.00	20.00
AW2508VT-F-8P-H	17.50	22.50

Unit: mm

2.50mm Pitch 180° wafer on radial-tape connector

WAFER

- Part NO.:AW2508VT-F-xP
- Material:Pin:Brass/Tin over Nickel
- Insulator:Nylon 66,UL94V-0
- Mates with:AH2508 series Housing
- Color:Ivory



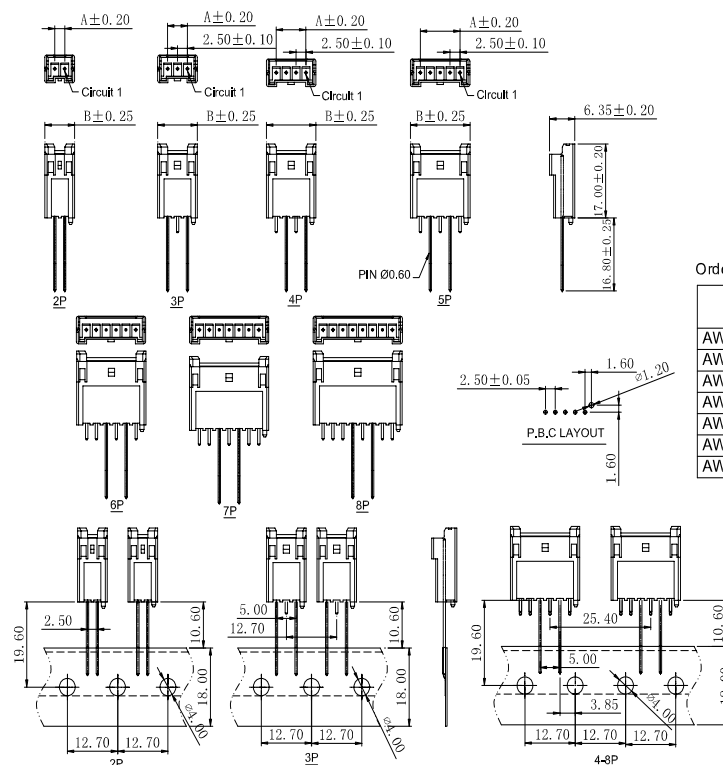
Ordering Information & Dimensions

PART NO.	Dimensions	
	A	B
AW2508VT-F-2P	2.50	7.50
AW2508VT-F-3P	5.00	10.00
AW2508VT-F-4P	7.50	12.50
AW2508VT-F-5P	10.00	15.00
AW2508VT-F-6P	12.50	17.50
AW2508VT-F-7P	15.00	20.00
AW2508VT-F-8P	17.50	22.50

2.50mm Pitch 180° wafer on radial-tape connector

WAFER

- Part NO.:AW2508VT-F-xP-H
- Material:Pin:Brass/Tin over Nickel
- Insulator:Nylon 66,UL94V-0
- Mates with:AH2508 series Housing
- Color:Ivory



Ordering Information & Dimensions

PART NO.	Dimensions	
	A	B
AW2508VT-F-2P-H	2.50	7.50
AW2508VT-F-3P-H	5.00	10.00
AW2508VT-F-4P-H	7.50	12.50
AW2508VT-F-5P-H	10.00	15.00
AW2508VT-F-6P-H	12.50	17.50
AW2508VT-F-7P-H	15.00	20.00
AW2508VT-F-8P-H	17.50	22.50