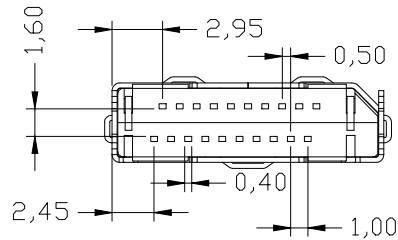


HSF

RoHS

REMARKS :



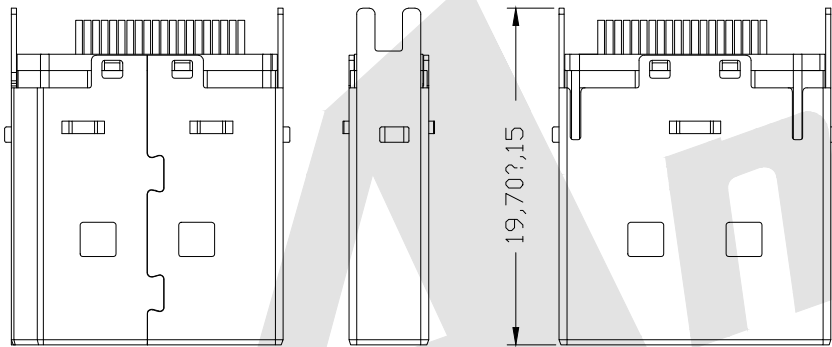
1. Material: contacts: C2680 EH T=0.30  
insulator: LCP shell: SPCC T=0.30
2. CONTACT INSERTION AND WITHDRAW FORCE
  - 1.1. Insertion force: 44.1N max.
  - 1.2. Withdrawal force: 9.8N min/39.2N max.
3. ELECTRIC PROPERTY
  - 2.1. Contact current rating: 0.5A min.
  - 2.2. Voltage rating: 40V AC (RMS).
  - 2.3. Withstanding voltage: 500V AC for 1 minute.
  - 2.4. Insulation resistance: 100 megaohms max
  - 2.5. Contact resistance: 30 milliohms max.
4. AMBIENT TEMPERATURE
  - 3.1. Operating temperature: -25 to +85°C.

A

A

B

B

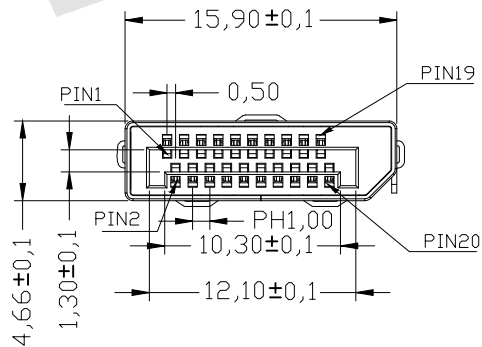


C

C

D

D



Ordering Code:

DP - M - X - X - 02  
① ② ③ ④ ⑤

- ① Series No:
- ② Male / female:  
M: Male
- ③ Contact Plating:  
1: Selective 1u"  
2: Selective 3u"  
3: Selective 5u"  
4: Selective 15u"  
5: Selective 30u"  
6: All Gold
- ④ Shell Plating:  
1: NICKKL PLATK  
2: TIN-LKAD PLATED  
3: GOLD PLATKD
- ⑤ series number:  
02

Unless Otherwise specified tolerance  
X. ±0.35 X.XX: ±0.20  
X.X: ±0.25 X.XXX: ±0.15

**Antenk** ANTENK ELECTRONICS CO., LTD  
Http://www.antenk.com  
E-mail: sales@antenk.com

SCALE: As Shown UNIT: mm  
DRAW Mo Guo Xuan DATE 29/10/2018  
CHECK BobYang DATE 29/10/2018

TITLE:  
Display Male straddle type (without hook)



DRAWING NO: DP-MXX02  
PRODUCT NO: DP-MXX02

REV	DESCRIPTION	DATE
1		
2		
3		
4		

1 2 3 4 5 6 7 8