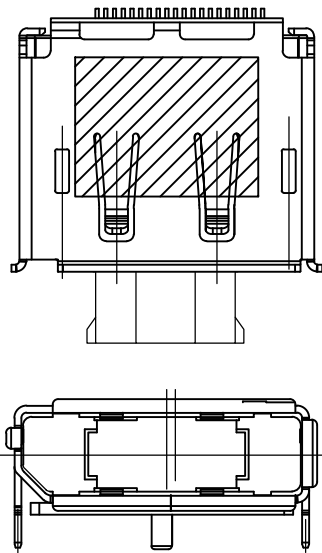
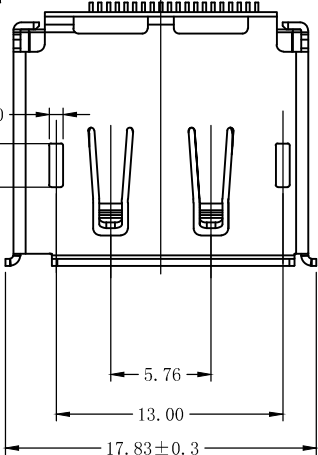


HSF



With Dust Cover

NOTE:

1. MATERIAL:

- 1.1 HOUSING: LCP+HF, UL 94V-0, COLOR: BLACK.
- 1.2 CONTACT: C2680, T=0.20mm.
- 1.3 SHIELD: C2680

2. FINISH:

- 2.1 CONTACT: GOLD(0.8U") PLATING IN CONTACT AREA, TIN(80U") PLATED IN SOLDER AREA, 30u" MIN. NICKEL UNDERPLATED OVERALL.
- 2.2 SHIELD: 50u" MIN. NICKEL UNDERPLATED OVERALL.

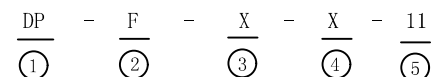
3. MECHANICAL CHARACTERISTICS

- 3.1 RATING CURRENT: 0.5A
- 3.2 RATING VOLTAGE: 40V
- 3.3 CONTACT RESISTANCE: 40 mΩ MAX
- 3.4 INSULATION RESISTANCE:
  - a, UNMATED: 100MΩ MIN AT 500 VDC
  - b, MATED: 10M OHMS MIN AT 150 VDC
- 3.5 DIELECTRIC WITHSTANDING VOLTAGE: 500V AC/1MINUTE
- 3.6 DURABILITY: 10000 CYCLES.
- 3.7 OPERATING TEMPERATURE: -20°C~+85°C

4. NOTES:

- 4.1 ALL COMPONENTS ARE RoHS COMPLIANT.
- 4.2 RESISTANCE TO SOLDERING HEAT: 265°C FOR 10 SECONDS.

ordering Code:



① Series No:

② Male / female:  
F: female

③ Contact Plating:

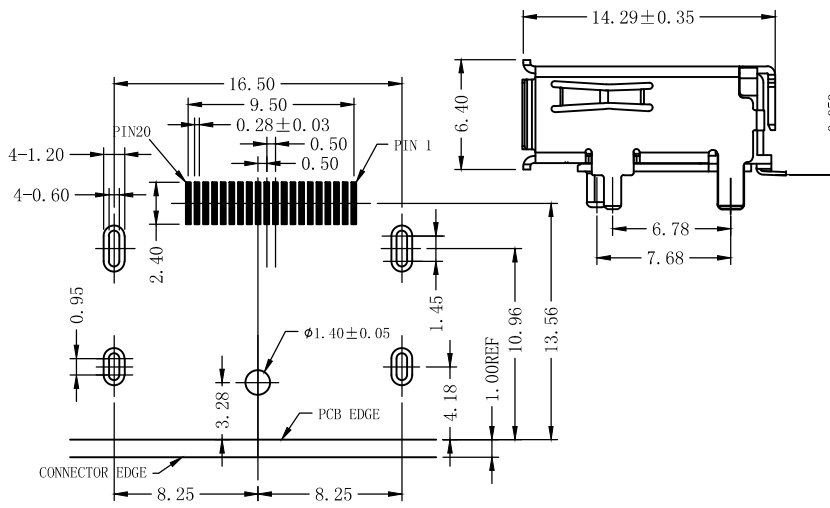
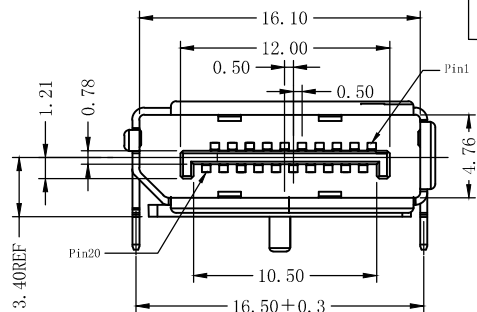
- 1: Selective 1u"
- 2: Selective 3u"
- 3: Selective 5u"
- 4: Selective 15u"
- 5: Selective 30u"
- 6: All Gold

④ Shell Plating:

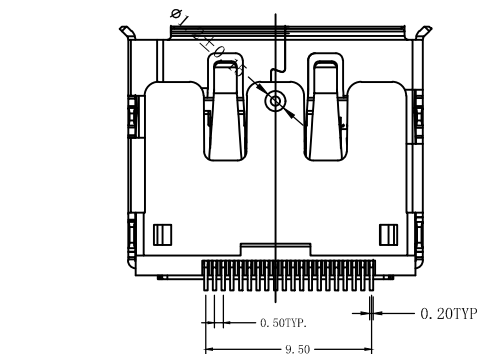
- 1: Nickel Plated
- 2: Tin-Nickel Plated
- 3: Gold Plated

⑤ Series Numer:

11



RECOMMENDED P.C.B LAYOUT (PCB THICKNESS: 1.6mm)  
COMPONENT SIDE VIEW (TOLERANCE: ±0.05)



Unless otherwise specified tolerance  
X. ±0.35 X.XX: ±0.20  
X.X: ±0.25 X.XXX: ±0.15

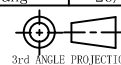
SCALE: As Shown UNIT: mm  
DRAW ZLA DATE 26/03/2022  
CHECK BobYang DATE 26/03/2022

**Antenk** ANTENK ELECTRONICS CO., LTD  
Http://www.antenk.com  
E-mail:sales@antenk.com

TITLE:  
Display Port Female SMT Without Clips

DRAWING NO: DP-FXX11

PRODUCT NO: DP-FXX11



REV DESCRIPTION DATE

1 2 3 4 5 6 7 8