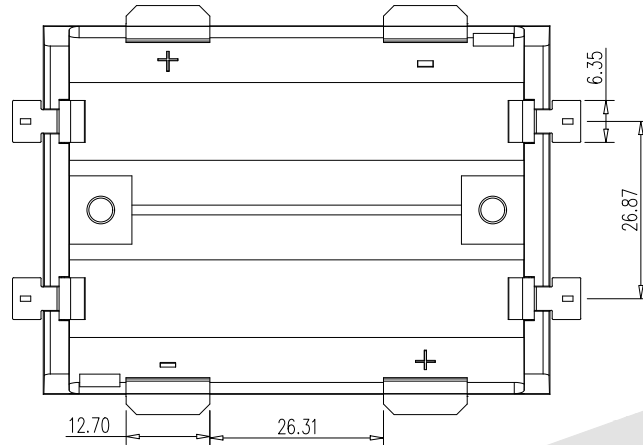
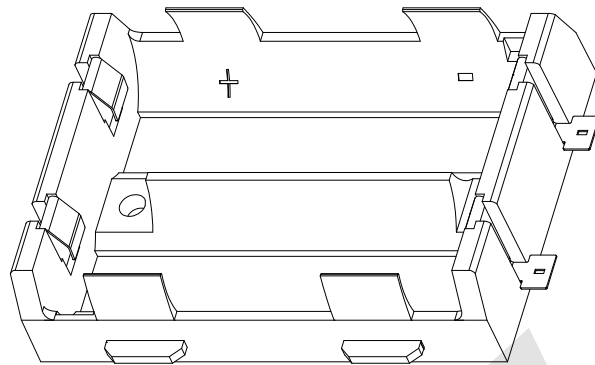


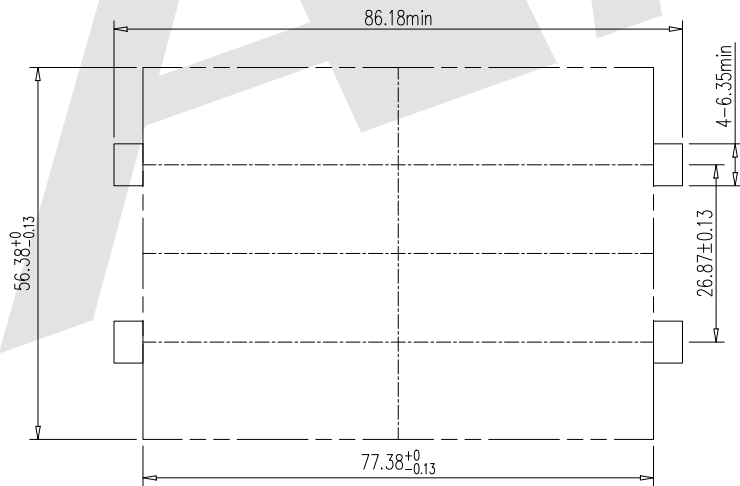
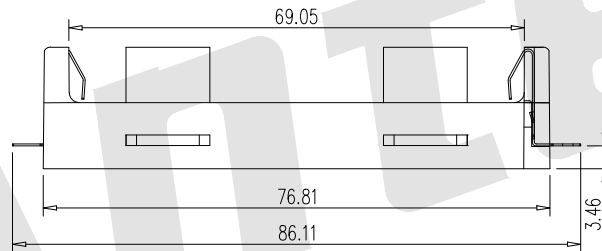
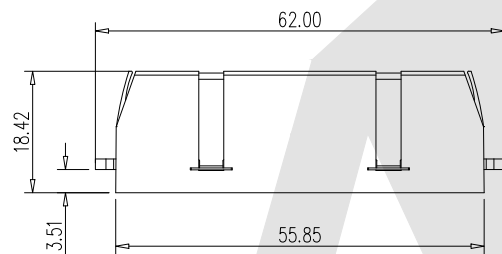
HSF



NOTE 说明:
 1. BASE 底座:
 MAT'L 材质: PA46+15%GF, BLACK
 2. CONTACT:
 MAT'L: 0.3MM THK STAINLESS STEEL

BBC - M - G0 - A - 108
 ① ② ③ ④ ⑤

- ① BBC: Battery Holder 电池盒
- ② Appearance for the product 连接形式
- M: SMT TYPE
- ③ Contact Plating 端子电镀
- SI: Tin NICKEL Plated 锡镍合金
- SN: Tin 锡
- G0: Gold flash 普金
- G1: 3U" Gold 金
- G2: 5U" Gold 金
- G3: 10U" Gold 金
- G4: 15U" Gold 金
- G5: 30U" Gold 金
- ④ Packing method 包装方式
- A: Tray packing 吸塑盒装
- B: BAG 袋装
- ⑤ Product number 产品编号
- 108



MTG. LAYOUT

Unless Otherwise specified tolerance
 X.±0.35 X.XX:±0.20
 X.X:±0.25 X.XXX:±0.15

SCALE: As Shown UNIT: mm
 DRAW ZLA DATE 05/17/2023
 CHECK BobYang DATE 05/17/2023

VER./版本号 3rd ANGLE PROJECTION

Antenk ANTENK ELECTRONICS CO.,LTD
 Http://www.antenk.com
 E-mail:sales@antenk.com

TITLE: Dual Battery Holder For 26650 SMT
 DRAWING NO: BBC-M-G0-A-108
 PRODUCT NO: BBC-M-G0-A-108

MK/标记	DESCRIPTION/修订内容	DATE/日期(M/D/Y)					
-------	------------------	----------------	--	--	--	--	--