

HSF



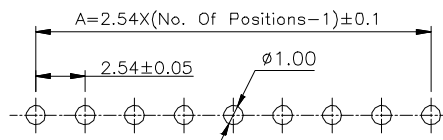
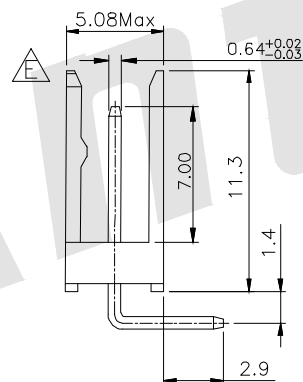
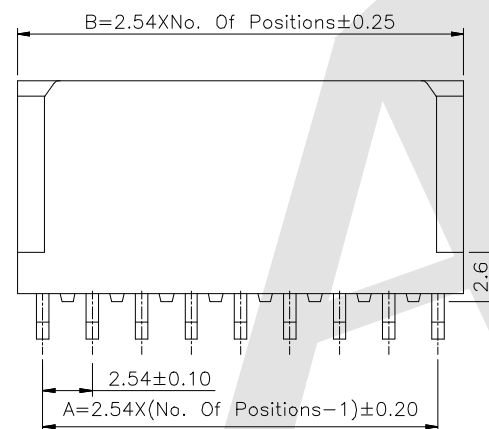
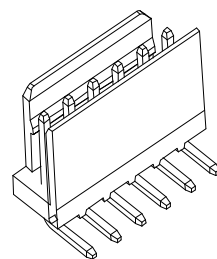
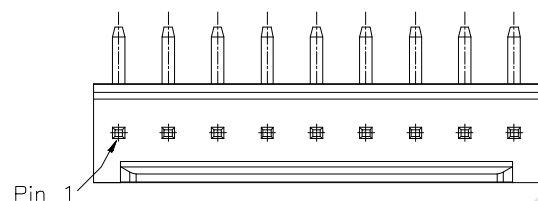
Specifications

Voltage Rating:250V AC/DC  
 Current Rating:3A AC/DC  
 Withstanding Voltage:1000V AC/Minute  
 Insulation Resistance:1000MΩ Min  
 Temperature Range: -40℃~+105℃  
 Contact Resistance: 20mΩ Max  
 Material: Nylon 66 UL94V-0 Black  
 Mate With: AH2547 series Housing  
 Plating:Gold & Tin Plated

Ordering information:

AW2547R-NP-X

Color:  
 B:Black  
 U:Blue  
 NO. of Pin 02-20



P.C.B. Layout

PART NO.	PIN NO.	DIM A	DIM B	PART NO.	PIN NO.	DIM A	DIM B
AW2547R-02-X	2	2.54	5.08	AW2547R-12-X	12	27.94	30.48
AW2547R-03-X	3	5.08	7.62	AW2547R-13-X	13	30.48	33.02
AW2547R-04-X	4	7.62	10.16	AW2547R-14-X	14	33.02	35.56
AW2547R-05-X	5	10.16	12.70	AW2547R-15-X	15	35.56	38.10
AW2547R-06-X	6	12.70	15.24	AW2547R-16-X	16	38.10	40.64
AW2547R-07-X	7	15.24	17.78	AW2547R-17-X	17	40.64	43.18
AW2547R-08-X	8	17.78	20.32	AW2547R-18-X	18	43.18	45.72
AW2547R-09-X	9	20.32	22.86	AW2547R-19-X	19	45.72	48.26
AW2547R-10-X	10	22.86	25.40	AW2547R-20-X	20	48.26	50.80
AW2547R-11-X	11	25.40	27.94				

Unless Otherwise specified tolerance  
 X. ±0.35 X.XX: ±0.20  
 X.X: ±0.25 X.XXX: ±0.15

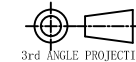
SCALE: As Shown UNIT: mm  
 DRAW: Jack Bao DATE: 11/23/2018  
 CHECK: Bob Yang DATE: 11/23/2018

**Antenk** ANTENK ELECTRONICS CO., LTD  
 Http://www.antenk.com  
 E-mail:sales@antenk.com

TITLE:2.54mm pitch 90° Wafer Single Row Connector series

DRAWING NO:AW2547R-NP-X

PRODUCT NO:AW2547R-NP-X



REV	DESCRIPTION	DATE