

HSF



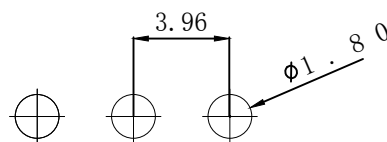
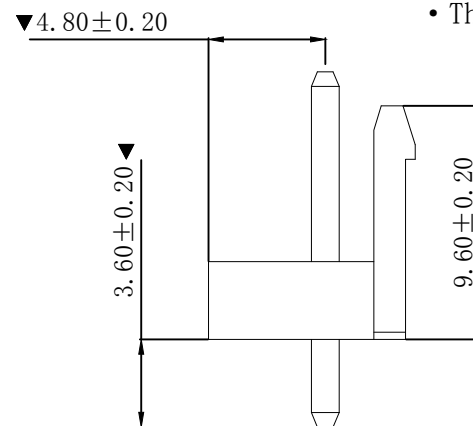
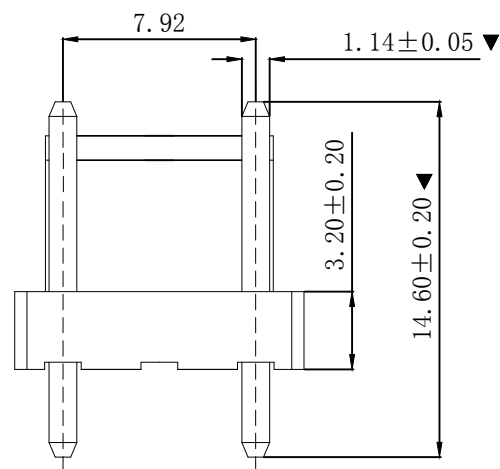
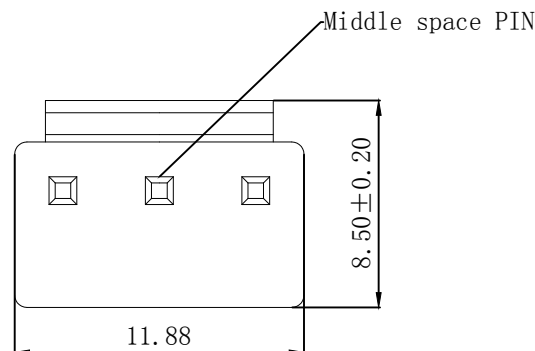
ROHS

SPECIFICATIONS

- Voltage rating: 250V AC/DC
- Current rating: 7A, AC, DC
- Withstanding Voltage: 1500V AC/minute
- Insulation resistance: 1000MΩ min
- Temperature range: -25°C~+85°C
- Contact resistance: 20mΩ max

WAFER

- Part NO: AW3961V-NP
- Poles: 03P
- Housing Material: Nylon66 UL94V-0
- Pin Material: Brass
- Contact Area Plating: Tin-plated
- The Dimension Marked “▼” Must Be Recorded



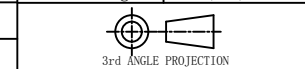
P. C. B LAYOUT

Unless Otherwise specified tolerance
 X. ±0.35 X.XX: ±0.20
 X.X: ±0.25 X.XXX: ±0.15

Antenk® ANTENK ELECTRONICS CO., LTD
[Http://www.antenk.com](http://www.antenk.com)
 E-mail:sales@antenk.com

SCALE: As Shown	UNIT: mm
DRAW Jack Bao	DATE 07/30/2017
CHECK Bob Yang	DATE 07/30/2017

TITLE: VH3.96mm 180° Wafer Connector Series



DRAWING NO: AW3961V-3P

PRODUCT NO: AW3961V-3P

REV	DESCRIPTION	DATE