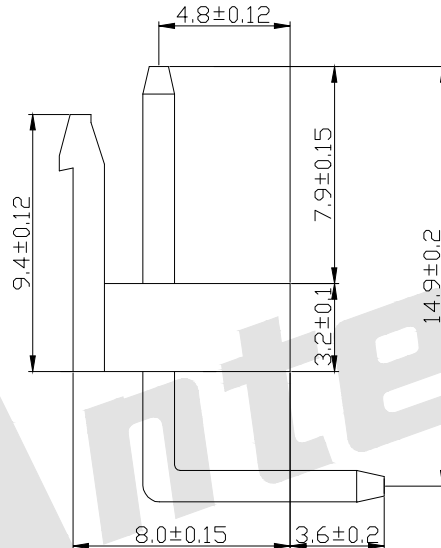
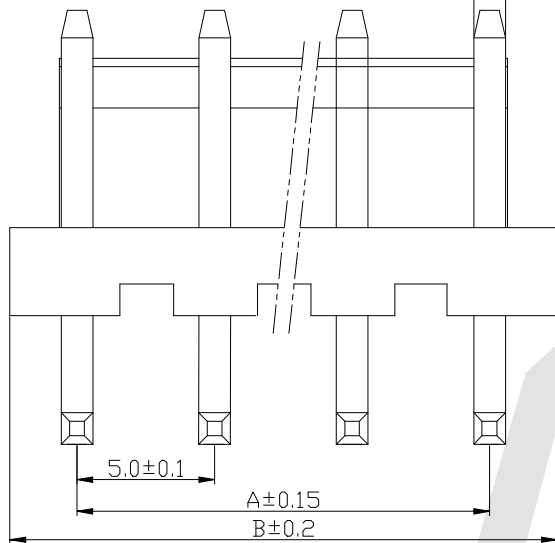


HSF



ROHS

□ 1.14

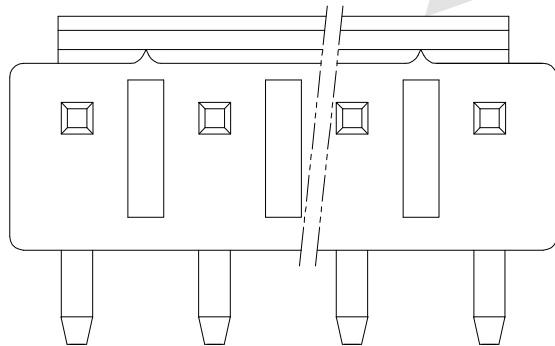


SPECIFICATIONS

- Voltage rating: 250V AC,DC
- Current rating: 10A, AC, DC
- Withstanding Voltage: 1500V AC/minute
- Insulation resistance: 1000MΩ min
- Temperature range: -25°C~+85°C
- Contact resistance: 10mΩ max

WAFER

- Part NO: AW5001R-XP
- Mates With AH5001-XP Series Housing
- Housing Material: Nylon66 UL94V-0
- Pin Material: Brass
- Contact Area Plating: Tin-Flash
- The Dimension Marked “ ” Must Be Recorded



| | | | | | | | | | |
|-------|------|------|------|------|------|------|------|------|------|
| B | 10.0 | 15.0 | 20.0 | 25.0 | 30.0 | 35.0 | 40.0 | 45.0 | 50.0 |
| A | 5.0 | 10.0 | 15.0 | 20.0 | 25.0 | 30.0 | 35.0 | 40.0 | 45.0 |
| Poles | 2 | 3 | 4 | 5 | 6 | 7 | 8 | 9 | 10 |

Unless Otherwise specified tolerance
 X. ±0.35 X.XX: ±0.20
 X.X: ±0.25 X.XXX: ±0.15



ANTENK ELECTRONICS CO.,LTD
 Http://www.antenk.com
 E-mail:sales@antenk.com

| | |
|----------------------|--------------------|
| SCALE: As Shown | UNIT: mm |
| DRAW Wu Feng Rong | DATE 26/10/2020 |
| CHECK Bob Yang | DATE 26/10/2020 |

TITLE:
5.08 MM 90° Wafer Connector Series

DRAWING NO: AW5001R-XP

PRODUCT NO: AW5001R-XP



3rd ANGLE PROJECTION

REV

DESCRIPTION

DATE

1

2

3

4

5

6

7

8