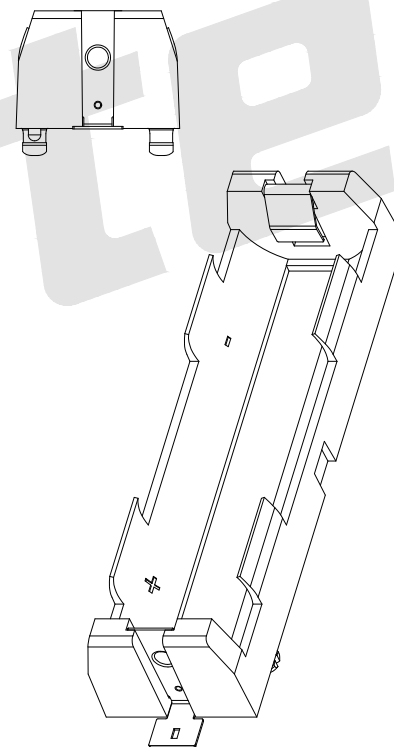
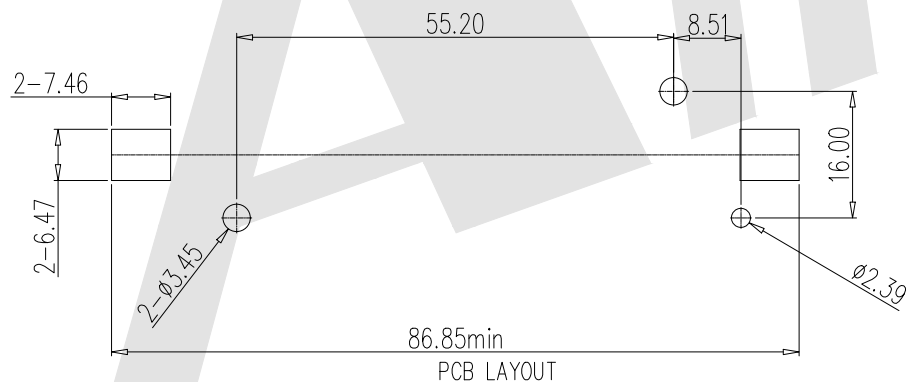
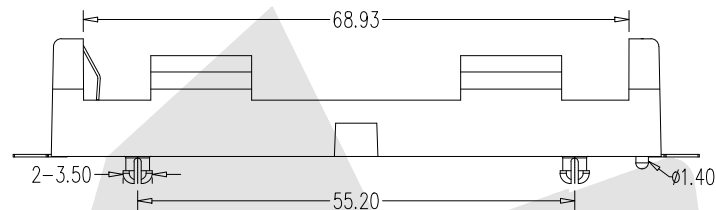
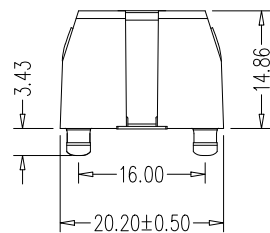
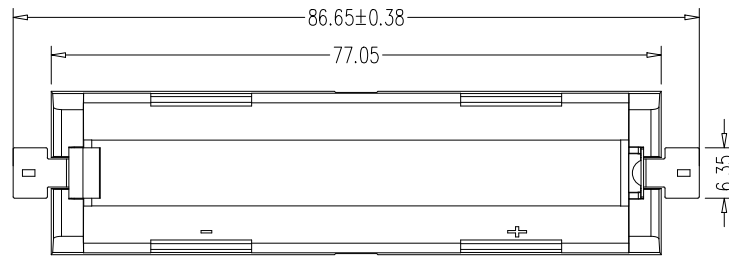


HSF



ROHS



NOTES说明:

1. BASE 胶芯:

MAT'L 材质: HEAT RESISTANCE NYLON 耐热尼龙  
STANYL 46 OR EQUIVALENT PA46 或等效材质

2. CONTACT 端子:

MAT'L 材质: .012 [0.30] THK STAINLESS STEEL  
0.3mm 厚不锈钢

BBC - M - GO - A - 18650-042P

① ② ③ ④ ⑤

① BBC: Battery Holder 电池盒

② Appearance for the product 连接形式

M: SMT

③ Contact Plating 端子电镀

SI: Tin NICKEL Plated 锡镍合金

SN: Tin 锡

GO: Gold flash 普金

G1: 3U" Gold 金

④ Packing method 包装方式

A: Tray packing 吸型盒装

B: BAG 袋装

⑤ Product number 产品编号

18650-042P

G2: 5U" Gold 金

G3: 10U" Gold 金

G4: 15U" Gold 金

G5: 30U" Gold 金

Unless Otherwise specified tolerance  
X.±0.35 X.XX:±0.20  
X.X:±0.25 X.XXX:±0.15

SCALE: As Shown UNIT: mm

DRAW ZLA DATE 04/07/2023

CHECK BobYang DATE 04/07/2023

VER./版本号

AO 3rd ANGLE PROJECTION

Antenk® ANTENK ELECTRONICS CO.,LTD  
Http://www.antenk.com  
E-mail:sales@antenk.com

TITLE: Single Battery Holder For 18650 SMT

DRAWING NO: BBC-M-GO-A-18650-042P

PRODUCT NO: BBC-M-GO-A-18650-042P

MK/标记

DESCRIPTION/修订内容

DATE/日期(M/D/Y)

1 2 3 4 5 6 7 8