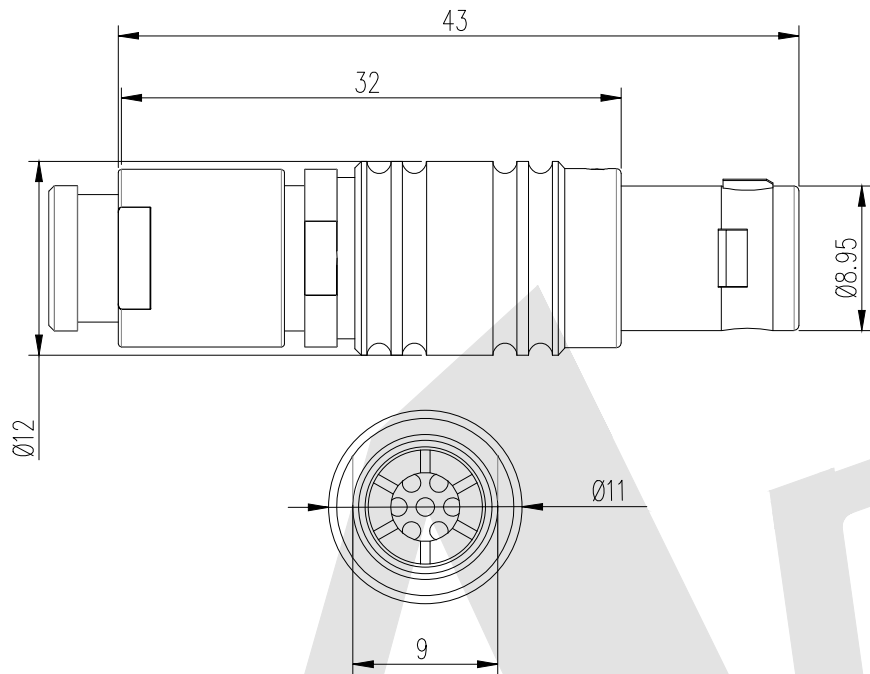


HSF



Specifications:
 Material:
 Housing: PPS
 Environment: Outdoor
 Shock: 100g,6ms
 Withstand Voltage: 500V AC,60S
 Humidity: 60°C,95% Max
 Protection Index: IP50
 Rated Temperature: -55°C~+250°C
 Durability: 5000 Cycles
 Vibration: 10-2000Hz,15g
 Salt Spray Test>144H
 Shielding: >75dB at 10Mhz,>40dB at 1Ghz

M12SL - XP - M - TGG
 ① ② ③ ④

- ① Serial No.
M12SL: M12 Self-Lock Series
- ② Pin No.
2~16P
- ③ Gender Type
M: Male
- ④ Series No.
TGG

Pin Number	2	3	4	5	6	7	8	10	12	14	16	
Pin Size (MM)	1.3	1.3	0.9	0.9	0.7	0.7	0.7	0.5	0.5	0.5	0.5	
Conductor Size	20 AWG	20 AWG	22 AWG	22 AWG	22 AWG	22 AWG	22 AWG	28 AWG	28 AWG	28 AWG	28 AWG	
Voltage Rating(KV rms)	PIN - PIN	1.70	1.60	1.70	1.30	1.35	1.45	1.30	1.20	0.95	0.95	0.95
	PIN - SHELL	1.45	1.85	1.80	1.55	1.45	1.45	1.30	1.80	1.60	1.60	1.60
Current Rating (A)	15.0	12.0	10.0	9.0	7.0	7.0	5.0	2.5	2.5	2.0	1.5	

Unless Otherwise specified tolerance
 X.±0.35 X.XX:±0.20
 X.X:±0.25 X.XXX:±0.15

SCALE: As Shown UNIT: mm
 DRAW ZLA DATE 10/09/2022
 CHECK BobYang DATE 10/09/2022

VER. 3rd ANGLE PROJECTION

Antenk® ANTENK ELECTRONICS CO.,LTD
 Http://www.antenk.com
 E-mail:sales@antenk.com

TITLE: M12 Self-Lock Male Connector Solder Type
 DRAWING NO: M12SL-XP-M-TGG
 PRODUCT NO: M12SL-XP-M-TGG

REV	DESCRIPTION	DATE