



Ordering Information:
AW2543R-xP-L - **

1 2

1. Part No.
2. Style:
(blank) : Type 1
2 : Type 2

SPECIFICATIONS

- Voltage rating: 250V AC/DC
- Current rating: 4A AC/DC
- Withstanding Voltage: 1000V AC/minute
- Insulation resistance: 1000MΩ min
- Temperature range: -40°C~+105°C

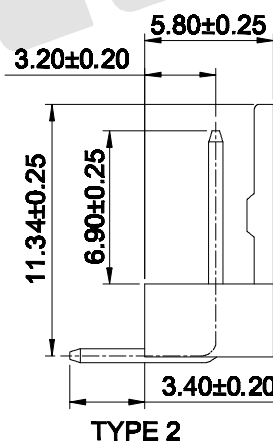
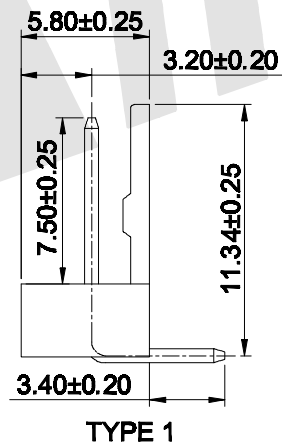
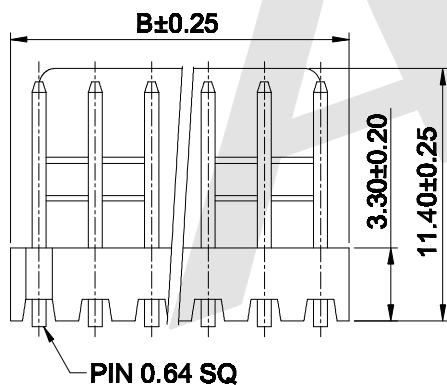
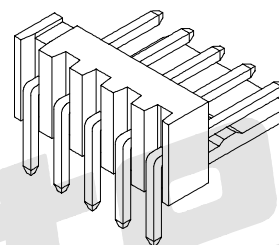
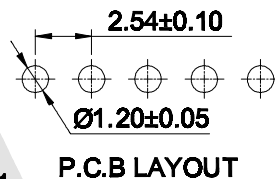
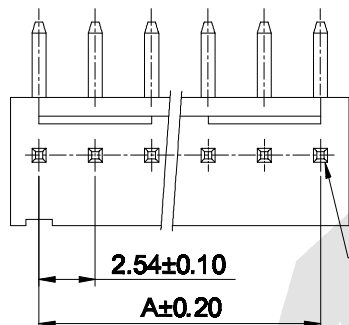
WAFER

- Part NO: AW2543R-xP-L
- Material: Pin: Brass/Tin over Nickel
Insulator: Nylon 66, UL94V-0
- Mates with: AH2543 series Housing
- Color: Beige

Ordering Information & Dimensions:

Poles	Part No.	Dimensions(mm)	
		A	B
02	AW2543R-02P-L	2.54	5.08
03	AW2543R-03P-L	5.08	7.62
04	AW2543R-04P-L	7.62	10.16
06	AW2543R-06P-L	10.16	12.70
06	AW2543R-06P-L	12.70	15.24
07	AW2543R-07P-L	15.24	17.78
08	AW2543R-08P-L	17.78	20.32
09	AW2543R-09P-L	20.32	22.86
10	AW2543R-10P-L	22.86	25.40
11	AW2543R-11P-L	25.40	27.94
12	AW2543R-12P-L	27.94	30.48
13	AW2543R-13P-L	30.48	33.02
14	AW2543R-14P-L	33.02	35.56
15	AW2543R-16P-L	35.56	38.10
16	AW2543R-16P-L	38.10	40.64
17	AW2543R-17P-L	40.64	43.18
18	AW2543R-18P-L	43.18	45.72
19	AW2543R-19P-L	45.72	48.26
20	AW2543R-20P-L	48.26	50.80
21	AW2543R-21P-L	50.80	53.34
22	AW2543R-22P-L	53.34	55.88
23	AW2543R-23P-L	55.88	58.42
24	AW2543R-24P-L	58.42	60.96
25	AW2543R-26P-L	60.96	63.50
26	AW2543R-26P-L	63.50	66.04
27	AW2543R-27P-L	66.04	68.58
28	AW2543R-28P-L	68.58	71.12

Unit:mm



Unless Otherwise specified tolerance
I ±0.35 I, XX: ±0.20
I, X: ±0.25 I, XXX: ±0.15

SCALE: As Shown UNIT: mm
DRAW Jack Bao DATE 06/19/2018
CHECK Bob Yang DATE 06/19/2018



ANTENK ELECTRONICS CO., LTD
Http://www.antenk.com
E-mail:sales@antenk.com

TITLE: 2.54mm pitch 90° Wafer Connector Series

DRAWING NO: AW2543R-xP-L

PRODUCT NO: AW2543R-xP-L

REV	DESCRIPTION	DATE
1		
2		
3		
4		
5		