

HSF



Electrical

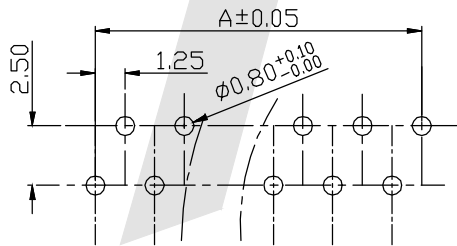
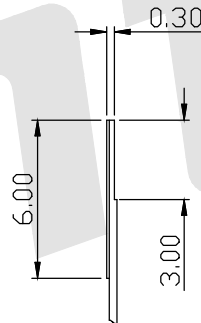
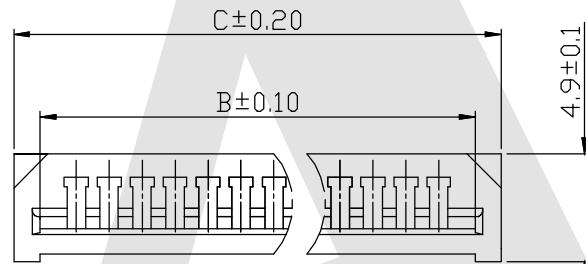
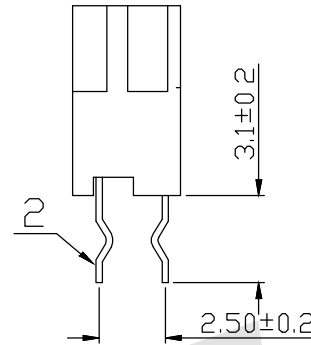
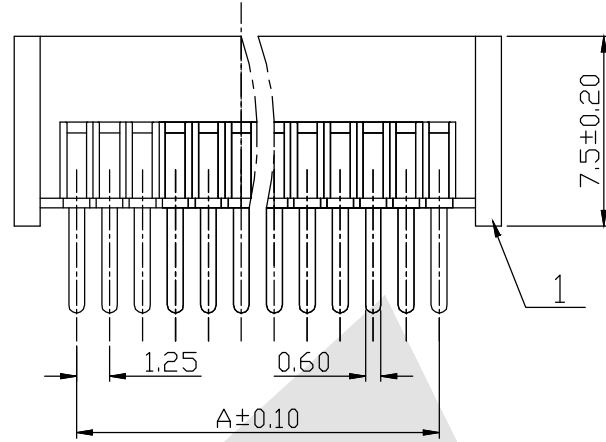
Voltage: 50 V AC(rms)/DC
 Current: 0.4 A AC(rms)/DC
 Contact Resistance: 20 mΩ max(initial)
 Dielectric Withstanding Voltage: 200V AC/rms
 Insulation Resistance: 500 MΩ min
 Operating Temp: -20 ° C ~ +80 ° C

TABLE :

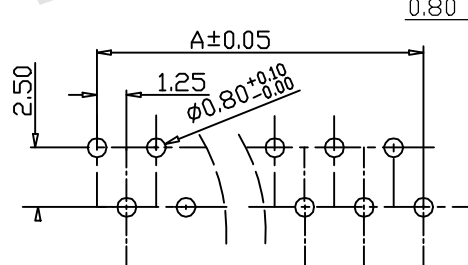
N	A	B	C
4	3.75	6.25	8.55
5	5	7.5	9.8
6	6.25	8.75	11.05
7	7.5	10	12.3
8	8.75	11.25	13.55
9	10	12.5	14.8
10	11.25	13.75	16.05
11	12.5	15	17.3
12	13.75	16.25	18.55
13	15	17.5	19.8
14	16.25	18.75	21.05
15	17.5	20	22.3
16	18.75	21.25	23.55
17	20	22.5	24.8
18	21.25	23.75	26.05
19	22.5	25	27.3
20	23.75	26.25	28.55
21	25	27.5	29.8
22	26.25	28.75	31.05
23	27.5	30	32.3
24	28.75	31.25	33.55
25	30	32.5	34.8
26	31.25	33.75	36.05
27	32.5	35	37.3
28	33.75	36.25	38.55
29	35	37.5	39.8
30	36.25	38.75	41.05
31	37.5	40	42.3
32	38.75	41.25	43.55
33	40	42.5	44.8
34	41.25	43.75	46.05
35	42.5	45	47.3

FPC1.25 - XX - ST - S - X - X - X - 1
 ① ② ③ ④ ⑤ ⑥ ⑦ ⑧

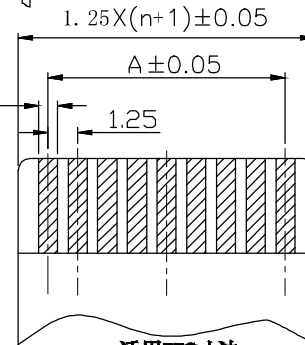
- ① 1.25mm FPC Series
- ② Contact NO:
XX=XXpin
For example:
06=06pin
- ③ APPEARANCE
RM:SMT Right Angle
RT:DIP Right Angle
SM:SMT Straight
ST:DIP Straight
- ④ Contact type
S: Single contact
- ⑤ Packing Type
T: Tube packing
A: tray packing
R: tape & reel
- ⑥ Other Option
0: Standard footprint
1: Reverse footprint
- ⑦ Plating:
G0: Gold flash
G1: 3U" gold
SN: MATT-TIN 90-120U"
S0: SELECTIVE GOLD
S1: SELECTIVE GOLD 3U"
- ⑧ Series number



STANDARD PCB LAYOUT
standard footprint



STANDARD PCB LAYOUT
reverse footprint



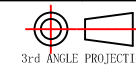
适用FPC寸法
Applicable FPC

Unless Otherwise specified tolerance
 X. ±0.35 X.XX: ±0.20
 X.X: ±0.25 X.XXX: ±0.15

Antenk ANTENK ELECTRONICS CO., LTD
 Http://www.antenk.com
 E-mail:sales@antenk.com

SCALE: As Shown UNIT: mm
 DRAW: Jack Bao DATE: 10/18/2018
 CHECK: BobYang DATE: 10/18/2018

TITLE: 1.25mm FPC NON-ZIF DIP straight,
SINGLE CONTACT



DRAWING NO: FPC1.25-XXSTXXXX1
 PRODUCT NO: FPC1.25-XXSTXXXX1

REV	DESCRIPTION	DATE
1		
2		
3		
4		
5		