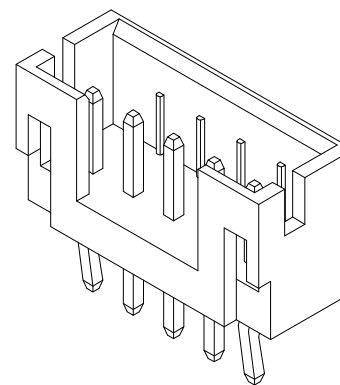




ROHS



SPECIFICATIONS

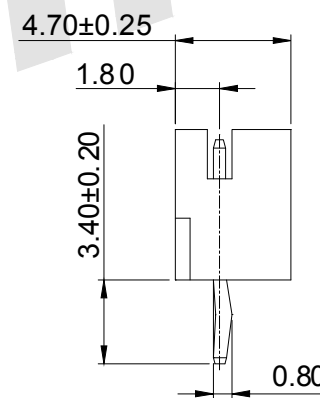
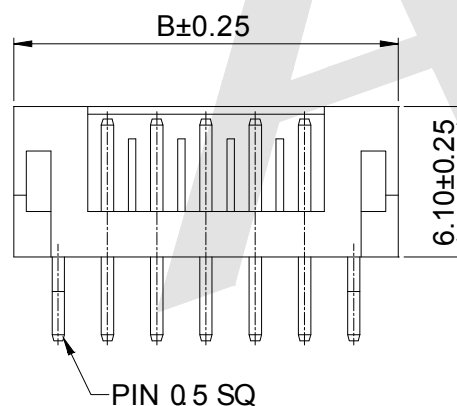
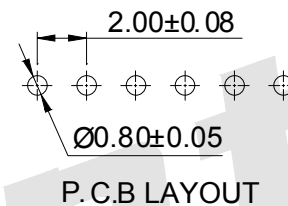
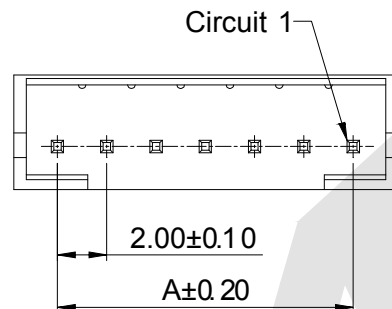
- Voltage rating: 300V AC/DC
- Current rating: 3A, AC, DC
- Withstanding Voltage: 1000V AC/minute
- Insulation resistance: 100MΩ min
- Temperature range: -40°C~+105°C

WAFER

- Part NO: AW2002V-xxP
- Material: Pin: Brass/Tin over Nickel
Insulator: Nylon 66, UL94V-0
- Mates with: AH2002 series Housing
- Color: Brown

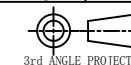
Ordering Information & Dimensions:

Poles	Part No.	Dimensions (mm)	
		A	B
2	AW2002V-02P	2.00	6.00
3	AW2002V-03P	4.00	8.00
4	AW2002V-04P	6.00	10.00
5	AW2002V-05P	8.00	12.00
6	AW2002V-06P	10.00	14.00
7	AW2002V-07P	12.00	16.00
8	AW2002V-08P	14.00	18.00
9	AW2002V-09P	16.00	20.00
10	AW2002V-10P	18.00	22.00
11	AW2002V-11P	20.00	24.00
12	AW2002V-12P	22.00	26.00
13	AW2002V-13P	24.00	28.00
14	AW2002V-14P	26.00	30.00
15	AW2002V-15P	28.00	32.00



Unless Otherwise specified tolerance
 X. ±0.35 X.XX: ±0.20
 X.X: ±0.25 X.XXX: ±0.15

SCALE: As Shown UNIT: mm
 DRAW: Jack Bao DATE: 10/09/2017
 CHECK: Bob Yang DATE: 10/09/2017



Antenk ANTENK ELECTRONICS CO., LTD
[Http://www.antenk.com](http://www.antenk.com)
 E-mail:sales@antenk.com

TITLE: 2.00mm pitch 180° Wafer Connector Series

DRAWING NO: AW2002V-xxP

PRODUCT NO: AW2002V-xxP

△ Revise Part No.

20/05/2022

REV	DESCRIPTION	DATE

DATE