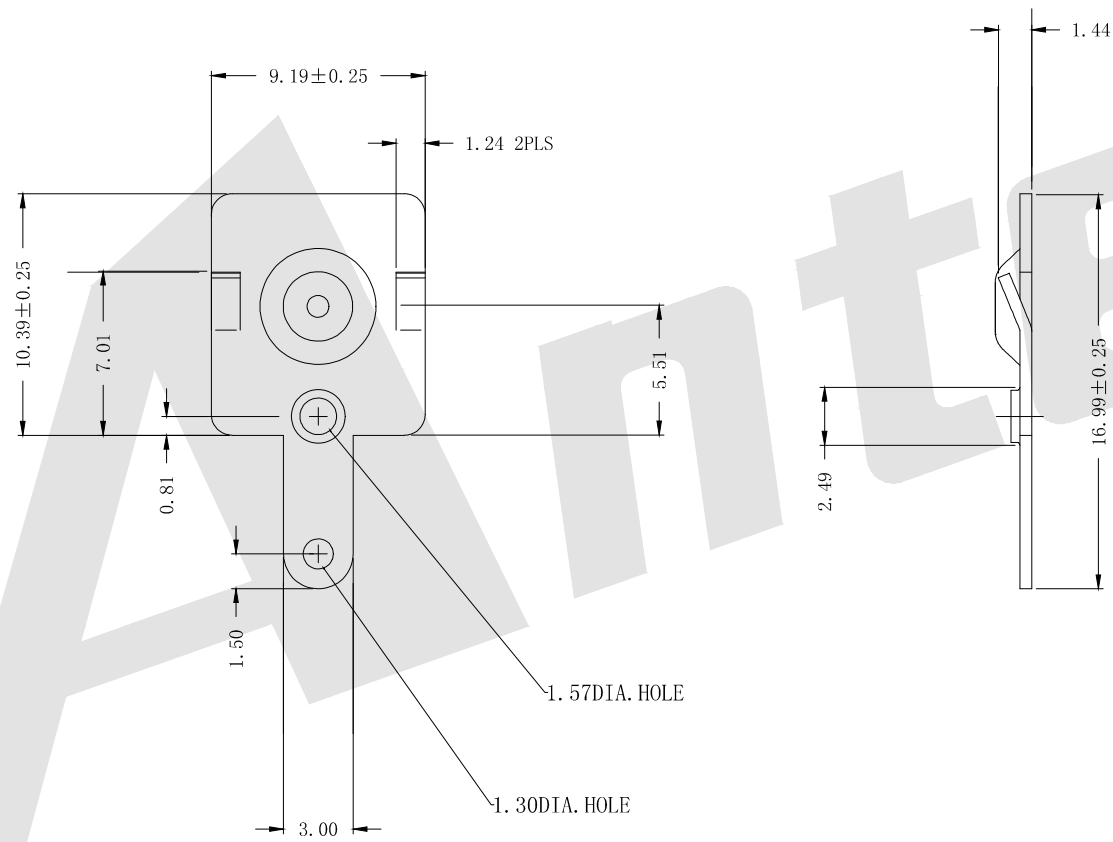


HSF



ROHS

Technical Requirements:
 1. Materials: 0.5 STEEL FINISH NICKEL-PLATED.
 2. COATING PARAMETERS: 4um.
 3. TEMPERATURE RANGE: -40° C ~ 270° C
 4. VOLTAGE PARAMETERS: 270V



Order Code:

BS - S - SI - B - 156
 ① ② ③ ④ ⑤

- ① BS: Battery Contacts
- ② Apperance for the product
S:180 TYPE
- ③ Contact Plating
SI:Nickel Plate
SN: Tin
G0:Gold flash
G1: 3U" Gold
G2: 5U" Gold
G3: 10U" Gold
G4: 15U" Gold
G5: 30U" Gold
- ④ Packing Method
A: Tray Packing
B: BAG PACKING
R: Tape & Reel Packing
- ⑤ Product Number
156

Positive

Unless Otherwise specified tolerance
 X. ±0.35 X.XX: ±0.20
 X.X: ±0.25 X.XXX: ±0.15

Antenk® ANTENK ELECTRONICS CO., LTD
 Http://www.antenk.com
 E-mail:sales@antenk.com

SCALE: As Shown	UNIT: mm
DRAW Wu Feng Rong	DATE 08/09/2021
CHECK BobYang	DATE 08/08/2021

TITLE:
AAA 7# Cell Battery Contacts(Positive) 156

DRAWING NO: BS-S-SI-B-156

PRODUCT NO: BS-S-SI-B-156



REV	DESCRIPTION	DATE
1		
2		
3		
4		
5		