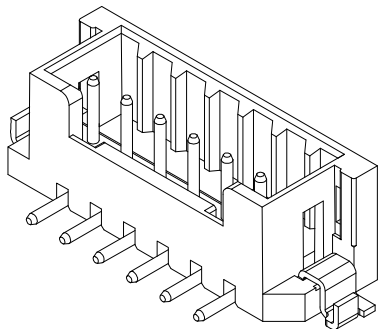


HSF



ROHS



Ordering Information:
AW2011V-S-F-NP - **
 1 2

1.Part No.
 2.Finish:
 (blank): Tin over Nickel
 G:Gold over Nickel

SPECIFICATIONS

- Voltage rating: 250V AC,DC
- Current rating: 3A,AC,DC
- Withstanding Voltage: 800V AC/minute
- Insulation resistance:650MΩ min
- Temperature range: -40°C~+105°C

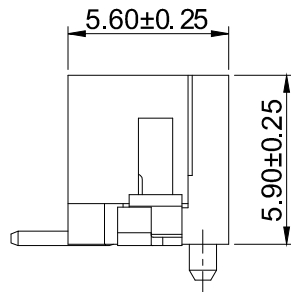
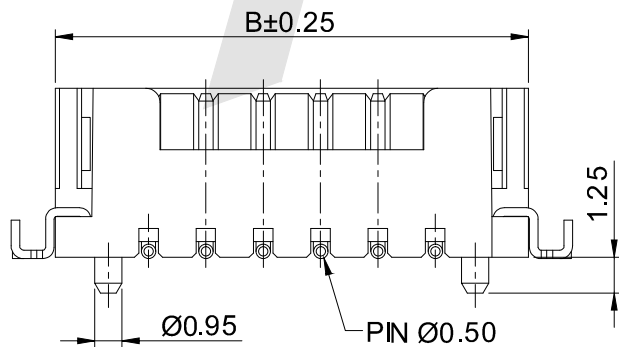
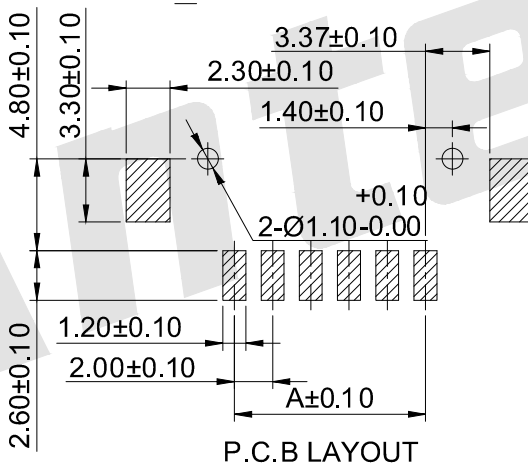
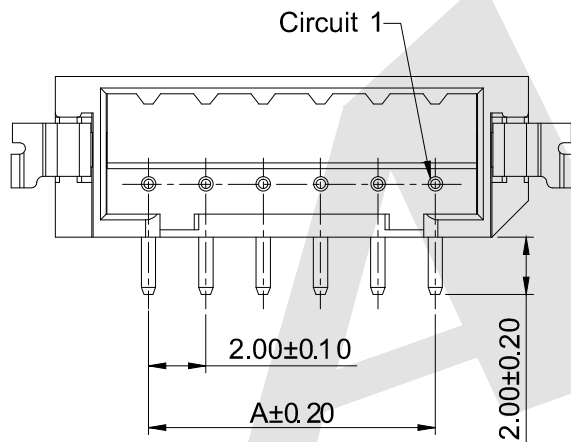
WAFER

- Part NO: AW2011V-S-F-NP-X
- Material: Pin: Brass/Tin over Nickel
 Insulator: Nylon 6T, UL94V-0
- Mates with: AH2011 series Housing
- Color: Ivory

Ordering Information & Dimensions:

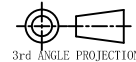
Poles	Part No.	Dimensions (mm)	
		A	B
2	AW2011V-S-F-2P-X	2.00	8.50
3	AW2011V-S-F-3P-X	4.00	10.50
4	AW2011V-S-F-4P-X	6.00	12.50
5	AW2011V-S-F-5P-X	8.00	14.50
6	AW2011V-S-F-6P-X	10.00	16.50
7	AW2011V-S-F-7P-X	12.00	18.50
8	AW2011V-S-F-8P-X	14.00	20.50
9	AW2011V-S-F-9P-X	16.00	22.50
10	AW2011V-S-F-10P-X	18.00	24.50
11	AW2011V-S-F-11P-X	20.00	26.50
12	AW2011V-S-F-12P-X	22.00	28.50
13	AW2011V-S-F-13P-X	24.00	30.50
14	AW2011V-S-F-14P-X	26.00	32.50
15	AW2011V-S-F-15P-X	28.00	34.50

Unit: mm



Unless otherwise specified tolerance
 X. ±0.35 X.XX: ±0.20
 X.X: ±0.25 X.XXX: ±0.15

SCALE: As Shown UNIT: mm
 DRAW Jack Bao DATE 10/31/2017
 CHECK Bob Yang DATE 10/31/2017



Antenk ANTENK ELECTRONICS CO., LTD
[Http://www.antenk.com](http://www.antenk.com)
 E-mail:sales@antenk.com

TITLE:2.00mm pitch 180° Wafer Boss- SMT TYPE
 Connector Series

DRAWING NO: AW2011V-S-F-NP-X

PRODUCT NO: AW2011V-S-F-NP-X

REV	DESCRIPTION	DATE