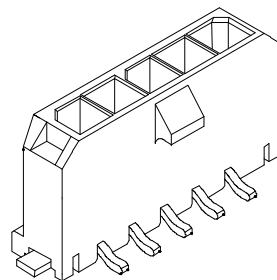
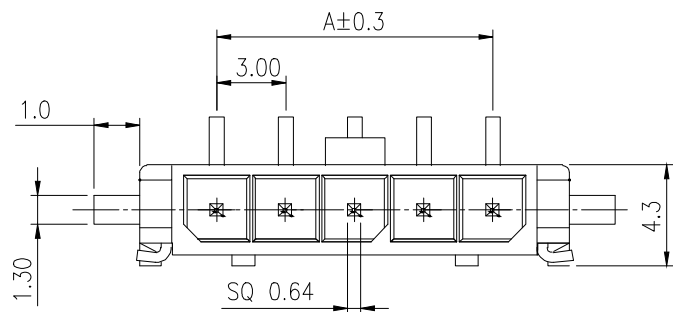


HSF



Specifications

Material:

Housing: LCP, UL94V-0, BLACK

Contact: Brass, Sn plated

Solder Tab: Brass, Sn plated

Poles: 04 to 24

Contact resistance: $\leq 10\text{m}\Omega$

Insulation resistance: >math>1000\text{M}\Omega</math>

Rated voltage: 250 V AC DC

Rated current: 5A AC DC

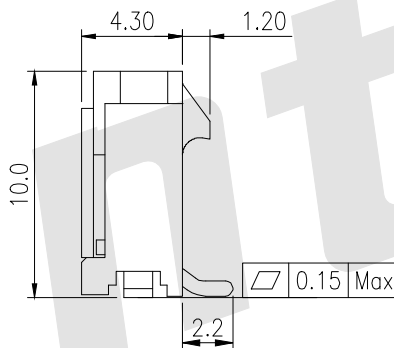
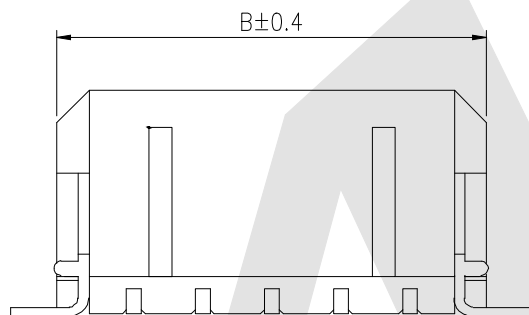
Withstand Voltage: 1500V AC/minute

Temperature Range: -25°C~+105°C

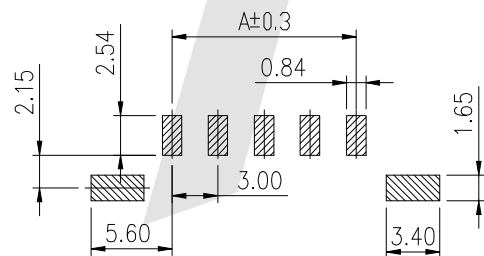
Part No.: AW3045SV-NP-X

U: Tube With metallic Pad

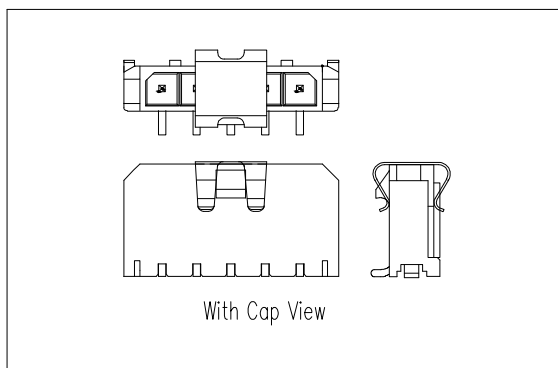
W: Reel+Metallic Pad



Part NO.	Dimension	
	A	B
AW3045SV-02P-X	3.0	9.7
AW3045SV-03P-X	6.0	12.7
AW3045SV-04P-X	9.0	15.7
AW3045SV-05P-X	12.0	18.7
AW3045SV-06P-X	15.0	21.7
AW3045SV-07P-X	18.0	24.7
AW3045SV-08P-X	21.0	27.7
AW3045SV-09P-X	24.0	30.7
AW3045SV-10P-X	27.0	33.7
AW3045SV-11P-X	30.0	36.7
AW3045SV-12P-X	33.0	39.7



PCB LAYOUT



With Cap View

Unless Otherwise specified tolerance
X.X±0.35 X.XX±0.20
X.XX±0.25 X.XXX±0.15

SCALE: As Shown UNIT: mm
DRAW ZLA DATE 07/17/2023
CHECK BobYang DATE 07/17/2023

VER./版本号
 3rd ANGLE PROJECTION

Antenk ANTENK ELECTRONICS CO., LTD
Http://www.antenk.com
E-mail:sales@antenk.com

TITLE: MX3.0mm Single Row SMT 180° With forking
grounding Wafer Connector Series

DRAWING NO: AW3045SV-NP-X

PRODUCT NO: AW3045SV-NP-X

Update packing method and material

02/20/2024

DESCRIPTION/修订内容

DATE/日期(M/D/Y)



MK/标记