



SPECIFICATIONS

- Voltage rating: 500V AC,DC
- Current rating: 3A AC,DC
- Withstanding Voltage: 1000V AC/minute
- Insulation resistance: 500MΩ min
- Temperature range: -40°C~+105°C

WAFER

- Part NO: AW2512RA-xP
- Material: Pin: Brass/Tin over Nickel
Insulator: Nylon 66, UL94V-0
- Mates with: AH2512、AH2501 series
Housing
- Color: White

Ordering Information:

AW2512RA-XP - * - **
1 2 3

1.Part No

2.Style:

(blank) :Type 1

2 :Type 2

3.Color:

(blank): White

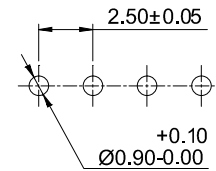
BL:Blue

BK:Black

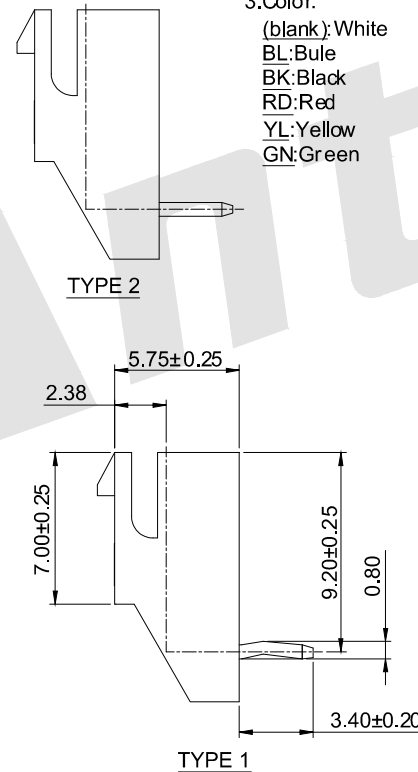
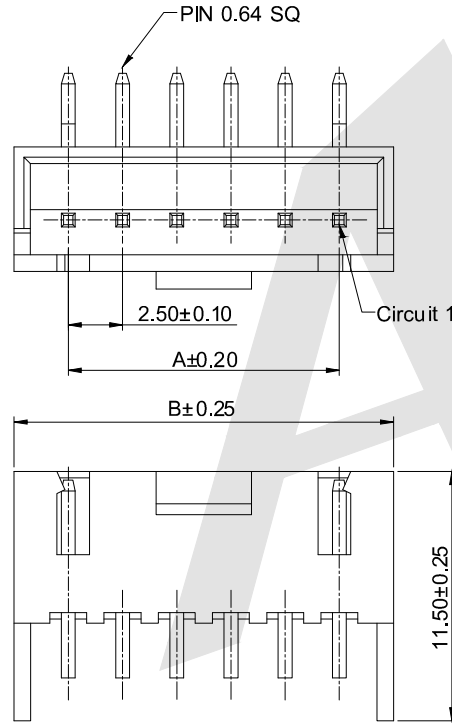
RD:Red

YL:Yellow

GN:Green



P.C.B LAYOUT



Ordering Information & Dimensions

PART NO.	Dimensions	
	A	B
AW2512RA-3P	5.00	10.00
AW2512RA-4P	7.50	12.50
AW2512RA-5P	10.00	15.00
AW2512RA-6P	12.50	17.50
AW2512RA-7P	15.00	20.00
AW2512RA-8P	17.50	22.50
AW2512RA-9P	20.00	25.00
AW2512RA-10P	22.50	27.50
AW2512RA-11P	25.00	30.00
AW2512RA-12P	27.50	32.50
AW2512RA-13P	30.00	35.00
AW2512RA-14P	32.50	37.50
AW2512RA-15P	35.00	40.00
AW2512RA-16P	37.50	42.50
AW2512RA-17P	40.00	45.00
AW2512RA-18P	42.50	47.50
AW2512RA-19P	45.00	50.00
AW2512RA-20P	47.50	52.50

Unit: mm

Unless Otherwise specified tolerance

X. ±0.35 X.XX: ±0.20
X.X: ±0.25 X.XXX: ±0.15

SCALE: As Shown	UNIT: mm
DRAW Jack Bao	DATE 5/14/2018
CHECK Bob Yang	DATE 5/14/2018

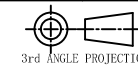


ANTENK ELECTRONICS CO., LTD
Http://www.antenk.com
E-mail:sales@antenk.com

TITLE: 2.50mm pitch 90° Wafer Connector Series

DRAWING NO: AW2512RA-xP

PRODUCT NO: AW2512RA-xP



REV	DESCRIPTION	DATE
1		
2		
3		
4		
5		