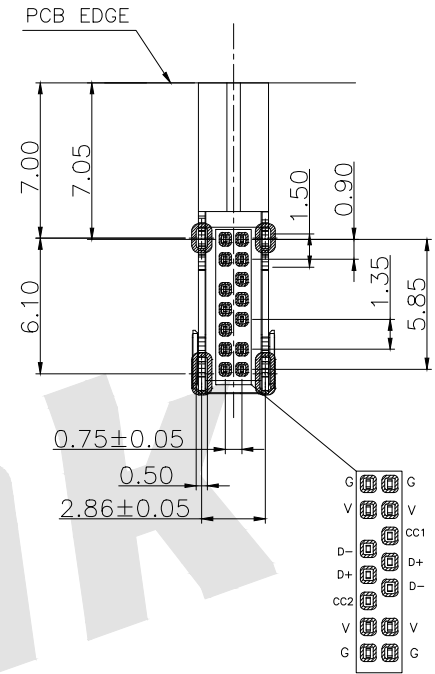
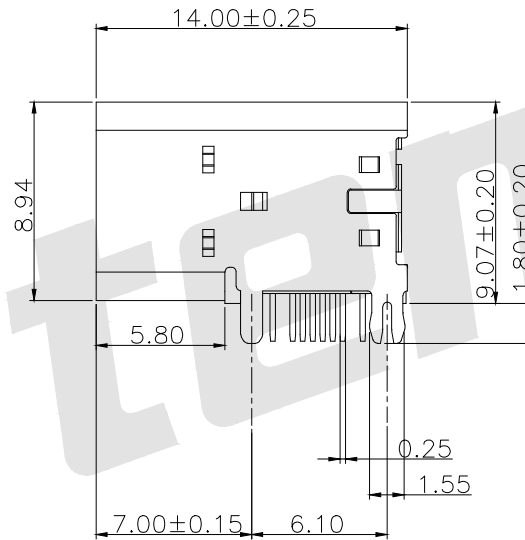
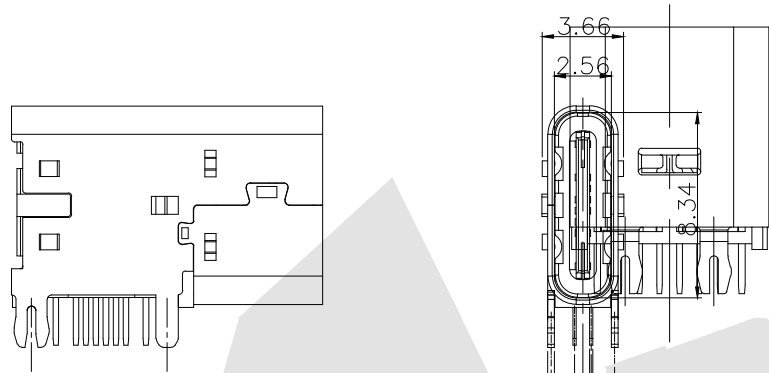
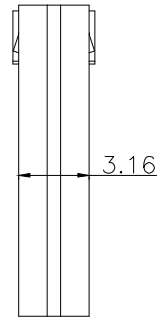


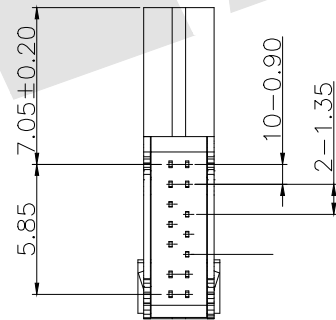
HSF



RoHS



NOTES:
 1.MATERIAL:
 MOLDING: LCP UL94 V-0
 CONTACT: COPPER ALLOY.
 GOLD PLATED Min ON CONTACT AREA, 100u"
 Min TIN (LEAD FREE) ON SOLDER AREA,
 SHELL: SUS304-H, T=0.30±0.03mm
 50u" NICKEL PLATING OVER ALL.
 SHILD: SUS304-H, T=0.12±0.03mm
 2.MECHANICAL:
 INSERTION: 5~20N.
 EXTRACTION: 8~20N AFTER TEST.
 DURABILITY: 10000 CYCLES
 3.ELECTRICAL:
 CURRENT: 5A FOR VBUS;
 1.25A FOR GND PIN.
 0.25A FOR OTHER.
 VOLTAGE: 20 V MAX
 WITHSTANDING VOLTAGE: 100V AC R.M.S.
 CONTACT RESISTANCE: 40mΩ MAX.
 INSULATION RESISTANCE: 100MΩ MIN.
 4.ENVIRONMENTAL
 TEMPERATURE RANGE -25°C ~ +85°C



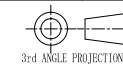
RECOMMENDED P.C.B. LAYOUT
 TOLERANCE UNSPECIFIED ±0.05mm

U3.1FR04 - S - L - X - X - X
 ① ② ③ ④ ⑤ ⑥

- ① Series No:
- ② Shell Material:
S: stainless steel
- ③ Insulator Material:
L: LCP
- ④ Contact Material:
B: Brass
P: Phosphor Copper
C: Copper Alloy
- ⑤ Contact Plating
G0: Gold flash
G1: 3u" Gold
G2: 5u" Gold
G3: 10u" Gold
G4: 15u" Gold
G5: 30u" Gold
- ⑥ Packing
A: Tray
B: Bag
C: Tube
D: Tape&Reel

Unless Otherwise specified tolerance
 X. ±0.35 X.XX: ±0.20
 X.X: ±0.25 X.XXX: ±0.15

SCALE: As Shown UNIT: mm
 DRAW Lv Xun Hua DATE 28/06/2019
 CHECK BobYang DATE 28/06/2019



Antenk ANTENK ELECTRONICS CO., LTD
 Http://www.antenk.com
 E-mail:sales@antenk.com

TITLE: Ttype C 3.1 Female Seat 14pin 90°

DRAWING NO: U3.1FR04-SLXXX
 PRODUCT NO: U3.1FR04-SLXXX

REV	DESCRIPTION	DATE