

HSF



ROHS

SPECIFICATIONS 规格

- Voltage rating 额定电压: 250V AC交流/DC直流
- Current rating 额定电流: 3A
- Withstanding Voltage 耐电压: 1000V AC交流/minute 1分钟
- Insulation resistance 绝缘电阻: 1000MΩ min 最小
- Temperature range 工作温度: -40°C~+105°C

WAFER 针座

- Part NO 料号: AW2508R-F-xP
- Material 材质:

Pin 四方针: Brass 黄铜/Tin over Nickel 镍底镀锡

Insulator 胶芯: Nylon 66 ,UL94V-0

- Mates with 配套胶壳: AH2508 series Housing
- Color 默认颜色: Ivory 象牙白

Ordering information 订单信息:

AW2508R-F-xP - $\frac{**}{2}$ - $\frac{X}{3}$

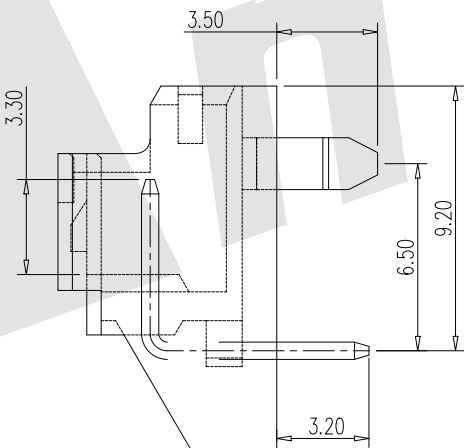
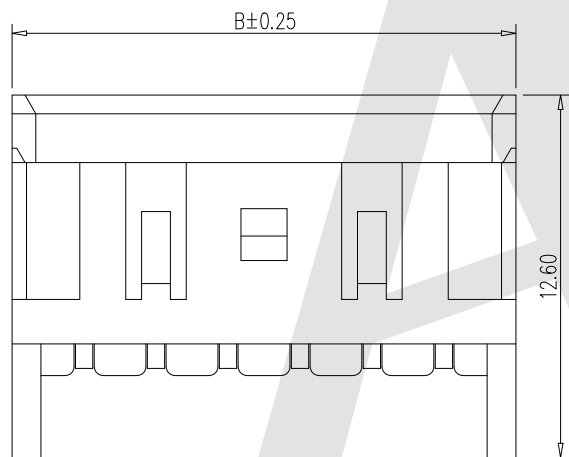
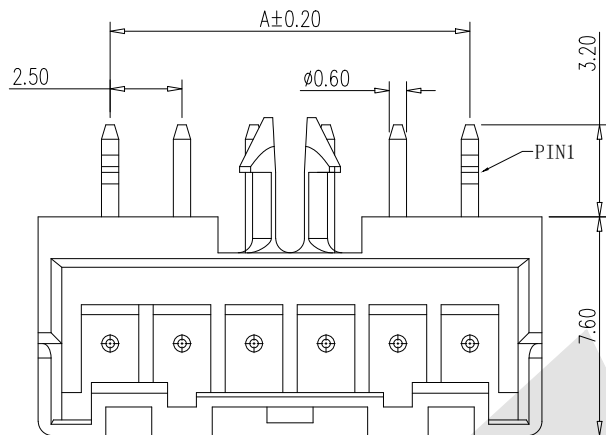
1.Part No.

2. Insulator Color 胶芯颜色:

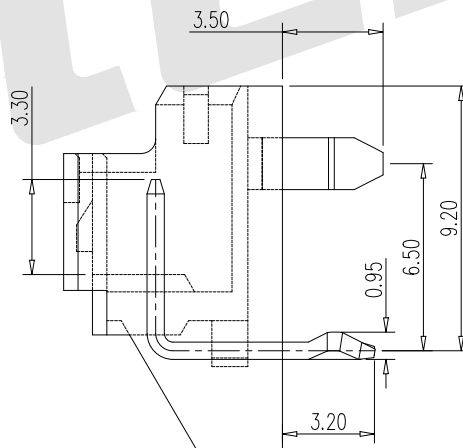
- | | |
|-------------------|--------------------|
| (blank)-Ivory 象牙白 | BR-Brown 棕 |
| BK-Black 黑 | GY-Gray 灰 |
| RD-Red 红 | PK-Pink 晶红 |
| BL-Blue 蓝 | LY-Lemon yellow 橘黄 |
| YL-Yellow 黄 | P-Purple 紫 |
| GN-Green 绿 | LE-Light Blue 浅蓝 |
| OR-Orange 橙 | FY-Vivid yellow 鲜黄 |
| WH-White 白 | |

3.Kink Options

- A: With Kink
- B: Without Kink



B: Without Kink



A: With Kink

PART NO.	Dimensions(mm)		Kink Position
	A	B	
2P	2.50	7.50	P1,P2
3P	5.00	10.00	P1,P3
4P	7.50	12.50	P1,P4
5P	10.00	15.00	P1,P5
6P	12.50	17.50	P1,P6
7P	15.00	20.00	P1,P7
8P	17.50	22.50	P1,P8
9P	20.00	25.00	P1,P9
10P	22.50	27.50	P1,P10
11P	25.00	30.00	P1,P11
12P	27.50	32.50	P1,P12
13P	30.00	35.00	P1,P13
14P	32.50	37.50	P1,P14
15P	35.00	40.00	P1,P15
16P	37.50	42.50	P1,P16
17P	40.00	45.00	P1,P17
18P	42.50	47.50	P1,P18
19P	45.00	50.00	P1,P19
20P	47.50	52.50	P1,P20

Unless Otherwise specified tolerance
 X.±0.35 X.XX:±0.20
 X.X:±0.25 X.XXX:±0.15

SCALE: As Shown UNIT: mm
 DRAW ZLA DATE 02/25/2023
 CHECK BobYang DATE 02/25/2023

VER./版本号 3rd ANGLE PROJECTION

Antenk® ANTENK ELECTRONICS CO.,LTD
 Http://www.antenk.com
 E-mail:sales@antenk.com

TITLE:
 2.50mm pitch 90° Wafer With Boss Connector Series

DRAWING NO: AW2508R-F-xP

PRODUCT NO: AW2508R-F-xP

MK/标记

DESCRIPTION/修订内容

DATE/日期(M/D/Y)