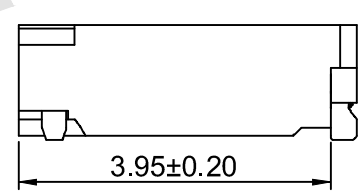
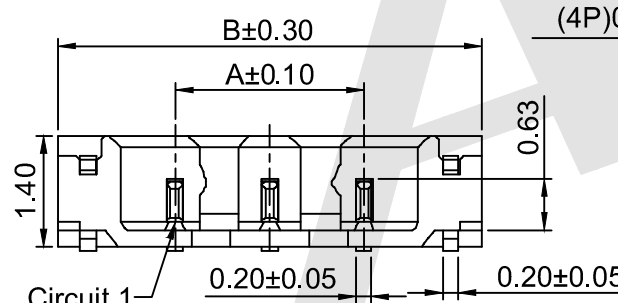
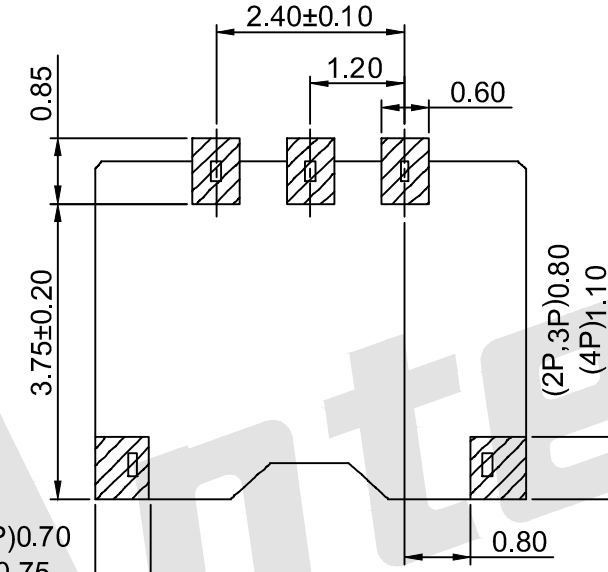
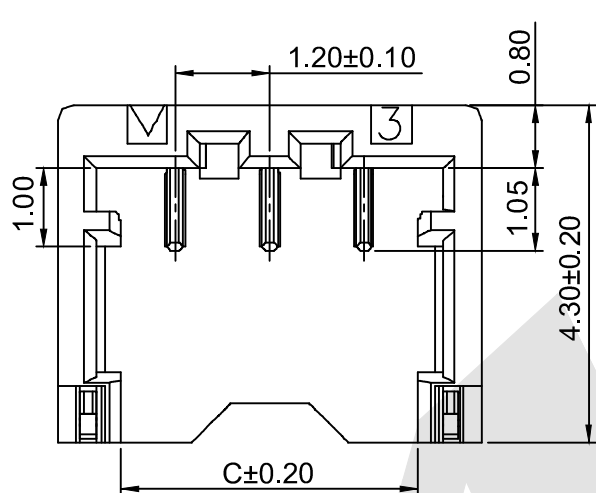


HSF



ROHS



P.C.B LAYOUT

SPECIFICATIONS

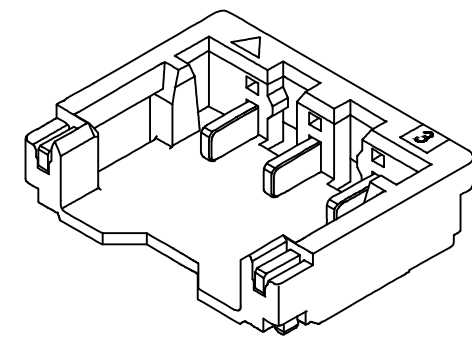
- Voltage rating: 50V AC,DC
- Current rating: 2A AC,DC
- Withstanding Voltage: 500V AC/minute
- Insulation resistance: 100MΩ Min
- Temperature range: -40°C~+105°C

WAFER

- Part NO: AW1201RA-S-xP
- Material: Pin: Phosphor Bronze/Gold over Nickel
Insulator: Nylon 6T, UL94V-0
Solder Tab: Phosphor Bronze/Tin over Nickel
- Mates with: AH1201A-xP series Housing
- Color: Ivory

Ordering Information & Dimensions:

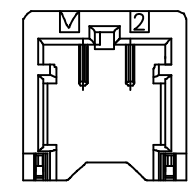
Part No.	Dimensions (mm)		
	A	B	C
AW1201RA-S-02P	1.20	4.20	2.60
AW1201RA-S-03P	2.40	5.40	3.80
AW1201RA-S-04P	3.60	6.60	5.00
AW1201RA-S-05P	4.80	7.80	6.20
AW1201RA-S-06P	6.00	9.00	7.40
AW1201RA-S-07P	7.20	10.20	8.60
AW1201RA-S-08P	8.40	11.40	9.80
AW1201RA-S-09P	9.60	12.60	11.00
AW1201RA-S-10P	10.80	13.80	12.20



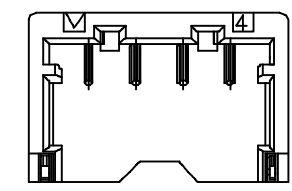
Ordering Information:

AW1201RA-S-XP - **
1 2

- 1.Part No.
- 2.Material:
(blank):Ivory
BK:Black



2Pin



4Pin

Unless Otherwise specified tolerance
X. ±0.35 X.XX: ±0.20
X.X: ±0.25 X.XXX: ±0.15

SCALE: As Shown UNIT: mm
DRAW: Jack Bao DATE: 10/23/2017
CHECK: Bob Yang DATE: 10/23/2017



Antenk® ANTENK ELECTRONICS CO., LTD
Http://www.antenk.com
E-mail:sales@antenk.com

TITLE: 1.20mm pitch 90° Wafer-SMT Connector Series

DRAWING NO: AW1201RA-S-xP

PRODUCT NO: AW1201RA-S-xP

REV	DESCRIPTION	DATE