

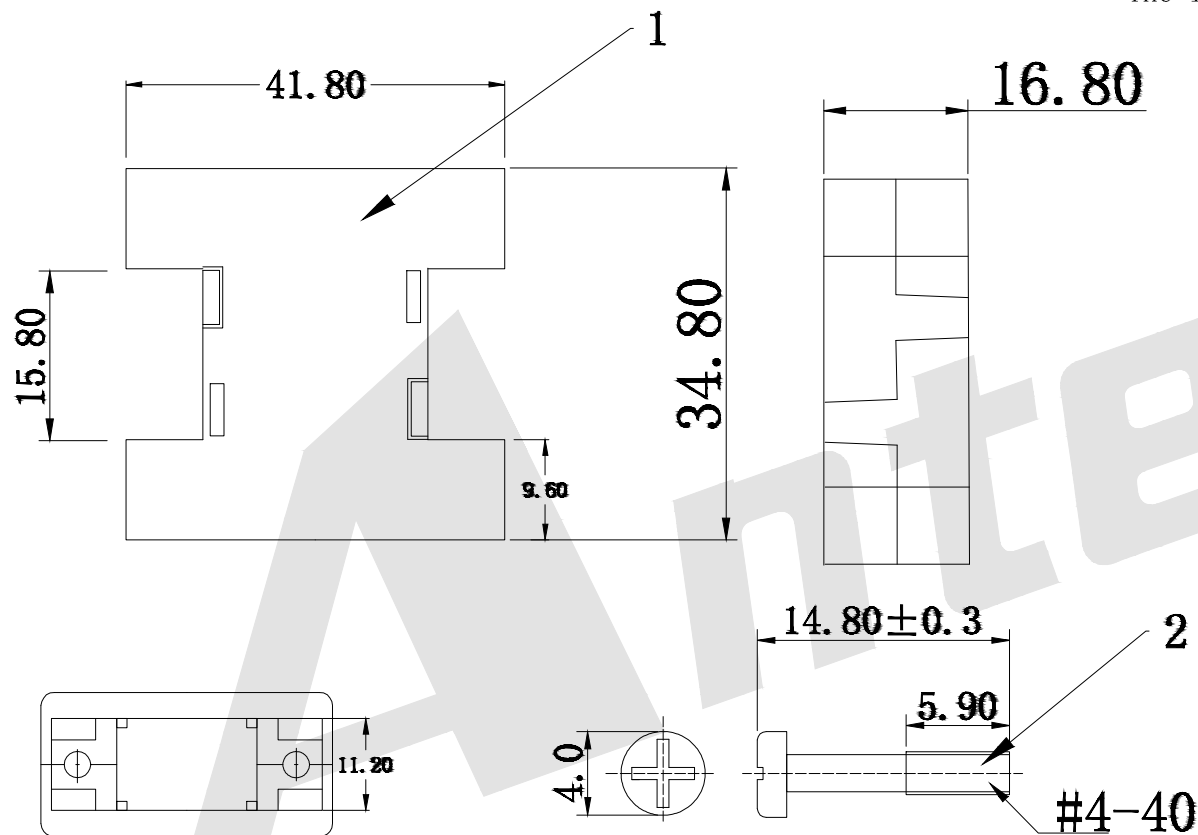
HSF



Material description:

Color: Black / BEIGE / Grey ABS

The inspection shall be subject to the assembly OK



Specification

Lock Type: D-SUB Series Connector Hoods

Screw Type: UNC 4-40

Material

Hoods: ABS

Screw: Steel

ORDERING CODE:

DBP03 - 15 - X - X  
 ① ② ③ ④

- ① Series No:  
Plastic Hoods
- ② CONTACT NUMBER:  
15=15PIN
- ③ Color Code:  
B:Black L:Gray  
W:Lvory
- ④ PACKING TYPE  
1:Mix packing  
2:Separation packing

Db15-db15 adapter housing (accessories are as follows)

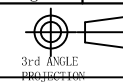
| project | Name                   | quantity | texture of material |
|---------|------------------------|----------|---------------------|
| ①       | Upper and lower shells | 1 SET    | ABS                 |
| ②       | Screw                  | 4 PCS    | Iron nickel plating |

Unless Otherwise specified tolerance  
 X. ±0.35 X.XX: ±0.20  
 X.X: ±0.25 X.XXX: ±0.15

**Antenk** ANTENK ELECTRONICS CO., LTD  
 Http://www.antenk.com  
 E-mail:sales@antenk.com

|                    |                    |
|--------------------|--------------------|
| SCALE:<br>As Shown | UNIT:<br>mm        |
| DRAW<br>TMX        | DATE<br>12/30/2021 |
| CHECK<br>BobYang   | DATE<br>12/30/2021 |

TITLE:  
D-SUB GENDER CHANGER PLASTIC HOODS, 15PIN



DRAWING NO: DBP03-15XX  
 PRODUCT NO: DBP03-15XX

| REV | DESCRIPTION | DATE |
|-----|-------------|------|
|     |             |      |