

HSF



RoHS

NOTES:

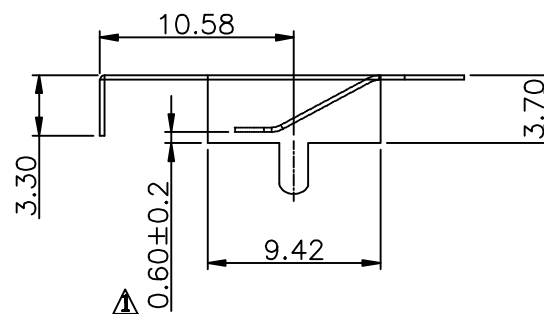
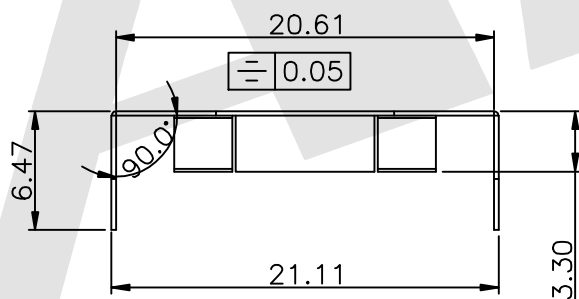
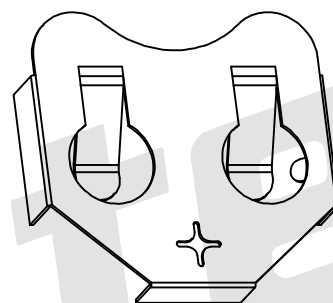
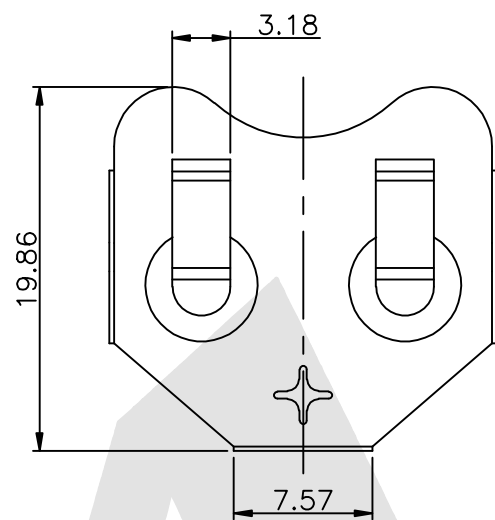
- 1. MATERIAL: PHOSPHOR BRONZE, T=0.25mm.
- 2. PLATING:
80U" Min NICKEL PLATED OVERALL
50U" Min NICKEL PLATED UNDER OVERALL

3. THIS PRODUCT IS SUITABLE FOR 20mm PC COIN CELL CLIP

Order Code:

BS - S - SI - R - 3003B
① ② ③ ④ ⑤

- ① BS: Battery Contacts
- ② Appearance For The Product
S:180 TYPE
- ③ Contact Plating
SI:Nickel Plate
SN:Tin
G0:Gold flash
G1: 3U" Gold
G2: 5U" Gold
G3:10U" Gold
G4:15U" Gold
G5:30U" Gold
- ④ Packing Method
A: Bag Packing
R: Tape & Reel Packing
- ⑤ Product Number
3003B



Unless Otherwise specified tolerance

I ±0.35 I.XX:±0.20
 I.X:±0.25 I.IXX:±0.15

SCALE: As Shown UNIT: mm

DRAW DATE 12/11/2020
 Wu Feng Rong
 CHECK DATE 12/11/2020
 BobYang

Antenk ANTENK ELECTRONICS CO.,LTD
[Http://www.antenk.com](http://www.antenk.com)
 E-mail:sales@antenk.com

TITLE: BATTERY CONTACTS FOR 3003B, STRAIGHT LEGS

DRAWING NO: BS-S-SI-R-3003B

PRODUCT NO: BS-S-SI-R-3003B



REV

0.4 Change 0.6+/-0.2

08/08/2022

DESCRIPTION

DATE



1

2

3

4

5

6

7

8