



Ordering Information:

AW2543VB-S-xP - ** - **
1 2 3

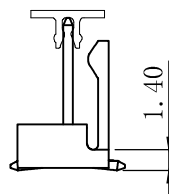
- Part No.
- Color:
(blank)- Ivory
BK- Black
- Finish
(blank)- Tin over Nickel
G- Gold over Nickel

SPECIFICATIONS

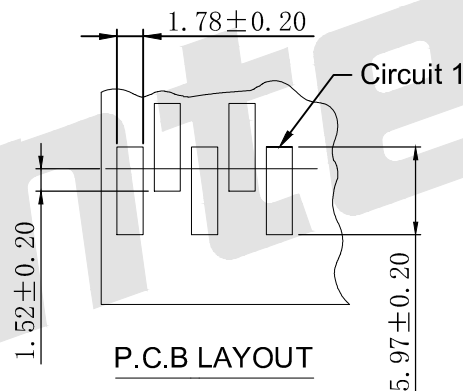
- Voltage rating: 250V AC,DC
- Current rating: 4A AC,DC
- Withstanding Voltage: 1000V AC/minute
- Insulation resistance: 1000MΩ min
- Temperature range: -40°C~+105°C

WAFER

- Part NO: AW2543VB-S-xP
- Material: Pin: Brass/Tin over Nickel
Insulator: LCP, UL94V-0
- Mates with: AH2543 series Housing
- Color: Ivory



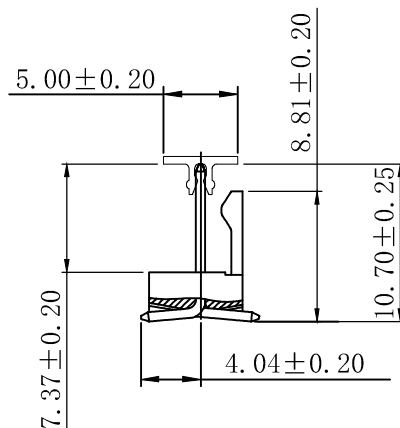
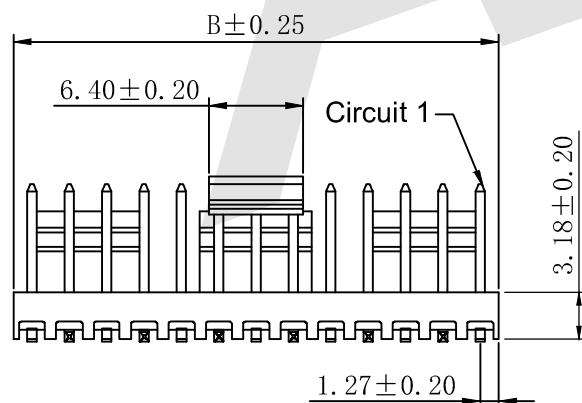
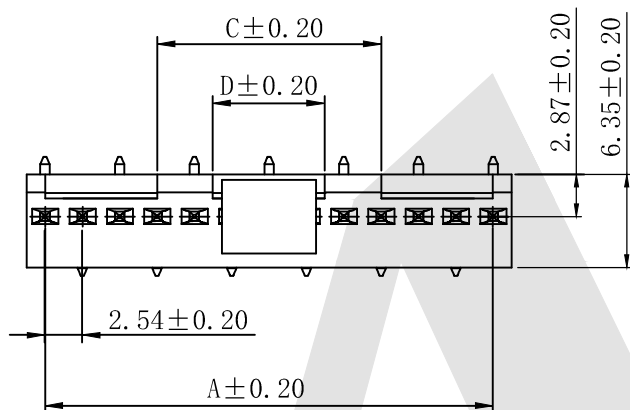
TYPICAL END VIEW FOR 2P THRU 7P



Ordering Information & Dimensions:

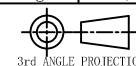
Poles	Part No.	Dimensions (mm)			
		A	B	C	D
02	AW2543VB-S-02P	2.54	5.08	----	----
03	AW2543VB-S-03P	5.08	7.62	----	----
04	AW2543VB-S-04P	7.62	10.16	----	----
05	AW2543VB-S-05P	10.16	12.70	----	----
06	AW2543VB-S-06P	12.70	15.24	----	----
07	AW2543VB-S-07P	15.24	17.78	----	----
08	AW2543VB-S-08P	17.78	20.32	----	----
09	AW2543VB-S-09P	20.32	22.86	2.54	----
10	AW2543VB-S-10P	22.86	25.40	5.08	----
11	AW2543VB-S-11P	25.40	27.94	7.62	----
12	AW2543VB-S-12P	27.94	30.48	10.16	7.62
13	AW2543VB-S-13P	30.48	33.02	12.70	7.62
14	AW2543VB-S-14P	33.02	35.56	15.24	12.70
15	AW2543VB-S-15P	35.56	38.10	17.78	12.70
16	AW2543VB-S-16P	38.10	40.64	20.32	12.70
17	AW2543VB-S-17P	40.64	43.18	22.86	12.70
18	AW2543VB-S-18P	43.18	45.72	25.40	12.70

Unit:mm



Unless Otherwise specified tolerance
 X. ±0.35 X.XX: ±0.20
 X.X: ±0.25 X.XXX: ±0.15

SCALE: As Shown UNIT: mm
 DRAW Jack Bao DATE 05/19/2018
 CHECK Bob Yang DATE 05/19/2018



Antenk® ANTENK ELECTRONICS CO., LTD
[Http://www.antenk.com](http://www.antenk.com)
 E-mail:sales@antenk.com

TITLE: 2.54mm pitch 180° Wafer-SMT Connector Series

DRAWING NO: AW2543VB-S-xP

PRODUCT NO: AW2543VB-S-xP

REV	DESCRIPTION	DATE
1		
2		