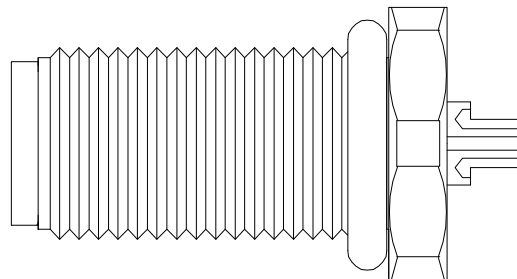
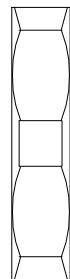


HSF



RoHS

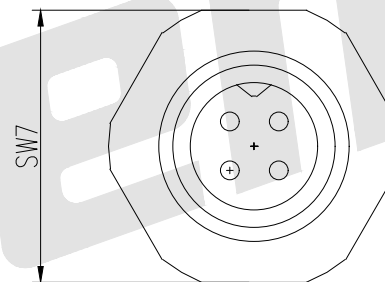
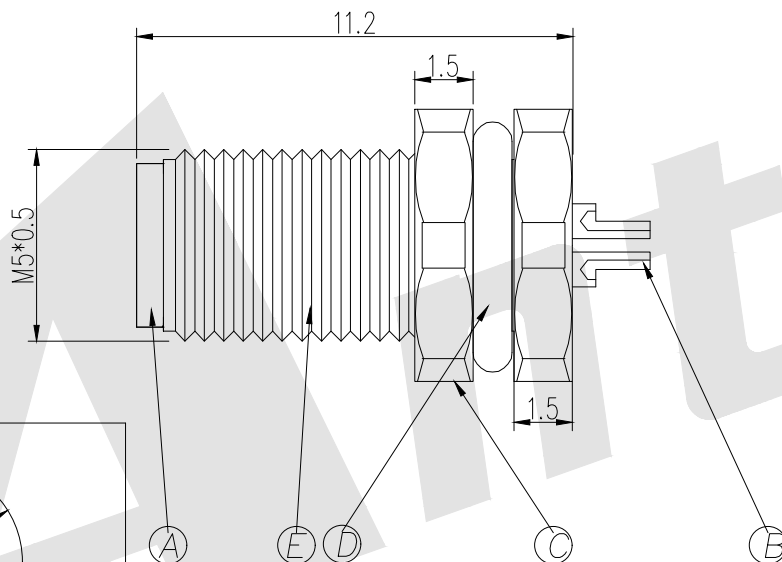
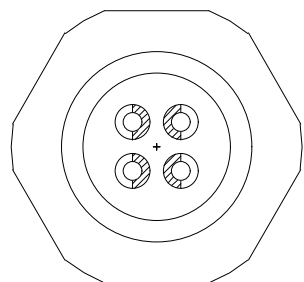


| | | | |
|-----|-------|-------|-------|
| | 2 Pin | 3 Pin | 4 Pin |
| Pin | | | |

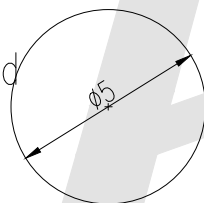
Ordering Code:

M5 - XP - M - 002
 ① ② ③ ④

- ① Type of M series : M5
- ② NO. of PINS: 02~04
- ③ Gender option:
M: Male
- ④ Series number: 002



Recommended Panel Cut-out



| | | | |
|------|-----------|-----|--------------------|
| E | Over Mold | 1 | NICKL PLATED BRASS |
| D | O RING | 1 | SILIGONE RED |
| C | NUT | 1 | NICKL PLATED BRASS |
| B | male PIN | / | GOLD PLATED BRASS |
| A | BODY | 1 | PA66+GF BLACK |
| Item | PART NAME | QTY | MATERIAL /FINISH |

| | | | |
|--------------------|-----------|-----------------------|-------------|
| Engagement force | ≤30N | Rated volage | 60v DC |
| Isengagement force | ≥5N | Rated current | 1A |
| echanical lifespan | ≥500 | Insulation resistance | ≥1000 MΩ |
| IP rating | IP67/IP68 | Contace resistance | ≤10mΩ |
| Flammability | UL94 v-0 | Operation Temperature | -40 TO+105℃ |

Unless Otherwise specified tolerance
 X.±0.35 X.XX:±0.20
 X.X:±0.25 X.XXX:±0.15

| | |
|--------------------|--------------------|
| SCALE: As Shown | UNIT: mm |
| DRAW ZLA | DATE 24/05/2022 |
| CHECK BobYang | DATE 24/05/2022 |

Antenk® ANTENK ELECTRONICS CO.,LTD
 Http://www.antenk.com
 E-mail:sales@antenk.com

TITLE: M5 2-4P Waterproof Plug Wire Side, Lock Front Panel SW7

DRAWING NO: M5-XP-M-002

PRODUCT NO: M5-XP-M-002



| | | |
|-----|-------------|------|
| REV | DESCRIPTION | DATE |
|-----|-------------|------|