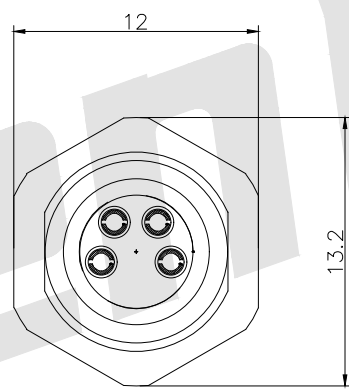
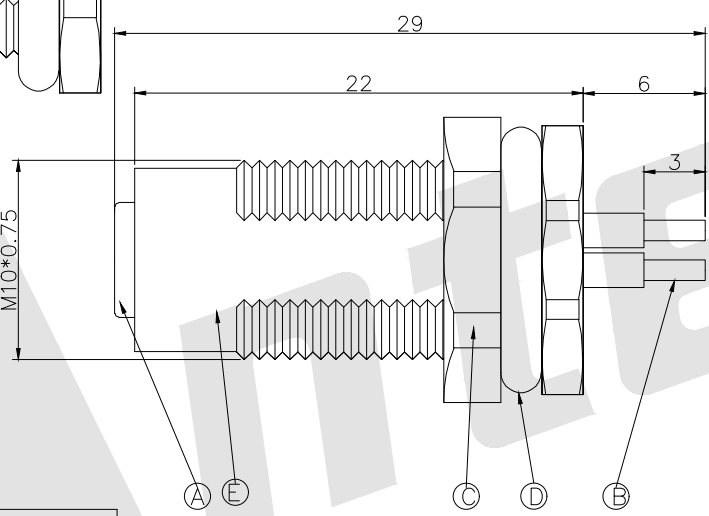
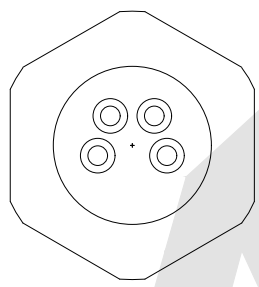
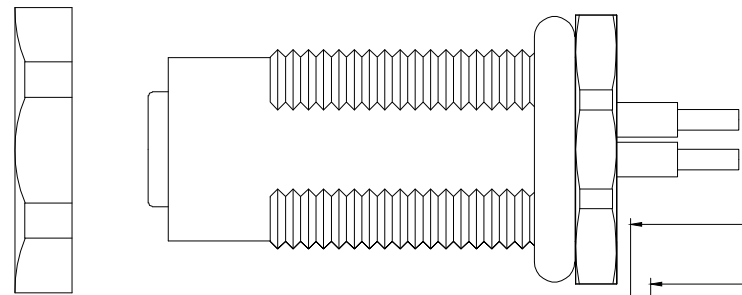


HSF

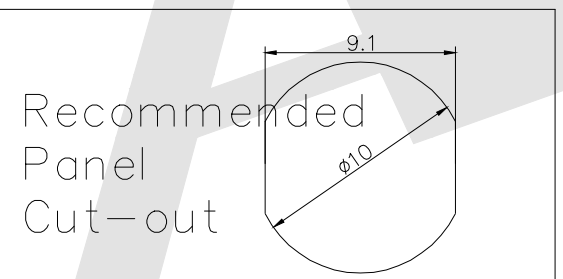


Pin							
CODE	A-CODE	A-CODE	A-CODE	B-CODE	A-CODE	A-CODE	A-CODE



Order Code:
 M802 - XP - F - 005
 ① ② ③ ④
 ① Type of M series : M802
 ② NO. of PINS: 02~08
 ③ Gender option: Female
 ④ Series number: 005

PCB Layout Reference



Engagement force	≤30N	Rated voltage	2-5pin: 60v DC 6-8pin: 30V DC
Isengagement force	≥5N	Rated current	2-5pin: 4A 6-8pin: 2A
echanical lifespan	≥500	Insulation resistance	≥1000 MΩ
IP rating	IP67/IP68	Contance resistance	≤10mΩ
Flammability	UL94 v-0	Operation Temperature	-40 T0+105℃

E	Over Mold	1	NICKL PLATED BRASS
D	O RING	1	SILIGONE RED
C	NUT	1	NICKL PLATED BRASS
B	Female PIN	/	PHOSPHOR BRONZE GOLD PLATING OVER NICKEL PLATING
A	BODY	1	PA66+GF BLACK
Item	PART NAME	QTY	MATERIAL /FINISH

Unless Otherwise specified tolerance
 X.±0.35 X.XX:±0.20
 X.X:±0.25 X.XXX:±0.15

SCALE: As Shown	UNIT: mm
DRAW ZLA	DATE 24/05/2022
CHECK BobYang	DATE 24/05/2022

Antenk® ANTENK ELECTRONICS CO.,LTD
 Http://www.antenk.com
 E-mail:sales@antenk.com

TITLE: M8 2~8P Female Waterproof Board Side Lock Front Panel DIP 180° SW12T

DRAWING NO: M802-XP-F-005
 PRODUCT NO: M802-XP-F-005

REV	DESCRIPTION	DATE

