

NOTE:

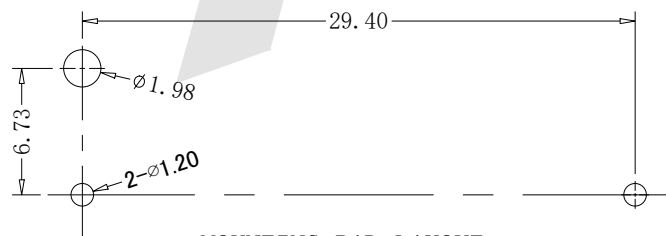
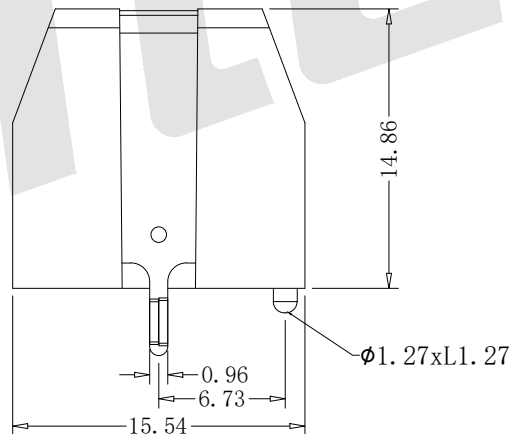
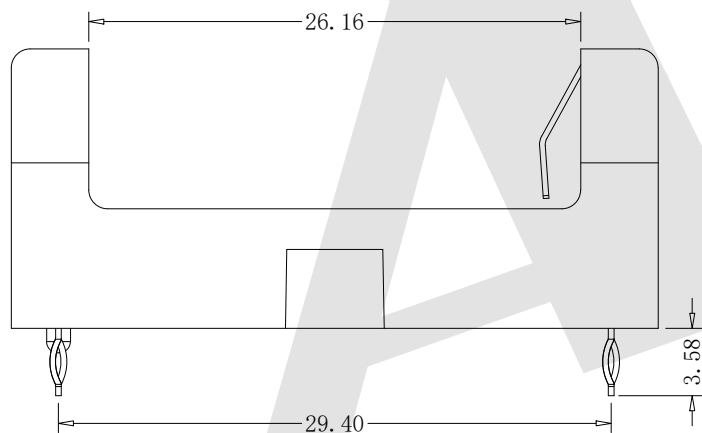
- 1. BASE:
MAT'L: HEAT RESISTANCE NYLON, BLACK.
- 2. CONTACT:
MAT'L: 0.30 THK STAINLESS STEEL
FINISH: TIN NICKEL PLATE

Ordering Code:

BBC - S - SN - A - 1/2AA-011

① ② ③ ④ ⑤

- ① BBC: Battery Holders
- ② Appearance for the product
S: 180° TYPE
- ③ Contact Plating
NI: Nickel SN: Tin
G0: Gold flash G3: 3U" Gold
G5: 5U" Gold G10: 10U" Gold
G15: 15U" Gold G30: 30U" Gold
- ④ Packing Method
A: Tray
R: Tape & reel packing
- ⑤ Product Number:
1/2AA-011



MOUNTING PAD LAYOUT

Unless Otherwise specified tolerance
 X. ±0.35 X.XX: ±0.20
 X.X: ±0.25 X.XXX: ±0.15

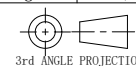
SCALE: As Shown	UNIT: mm
DRAW GONG FENG	DATE 23/01/2022
CHECK BobYang	DATE 23/01/2022

Antenk® ANTENK ELECTRONICS CO., LTD
[Http://www.antenk.com](http://www.antenk.com)
 E-mail: sales@antenk.com

TITLE:
SINGLE 1/2 AA BATTERY HOLDER THM

DRAWING NO: BBC-S-SN-A-1/2AA-011

PRODUCT NO: BBC-S-SN-A-1/2AA-011



Change Contact
DESCRIPTION

10/18/2023
DATE