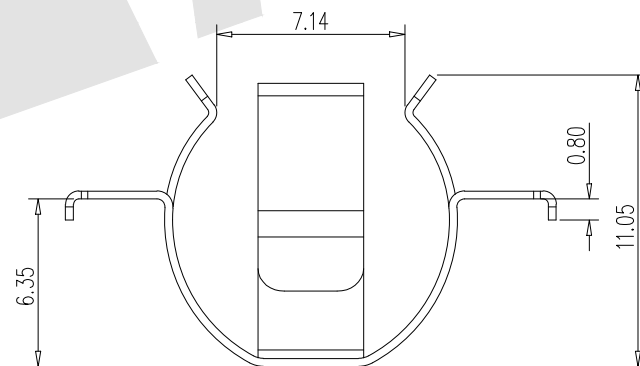
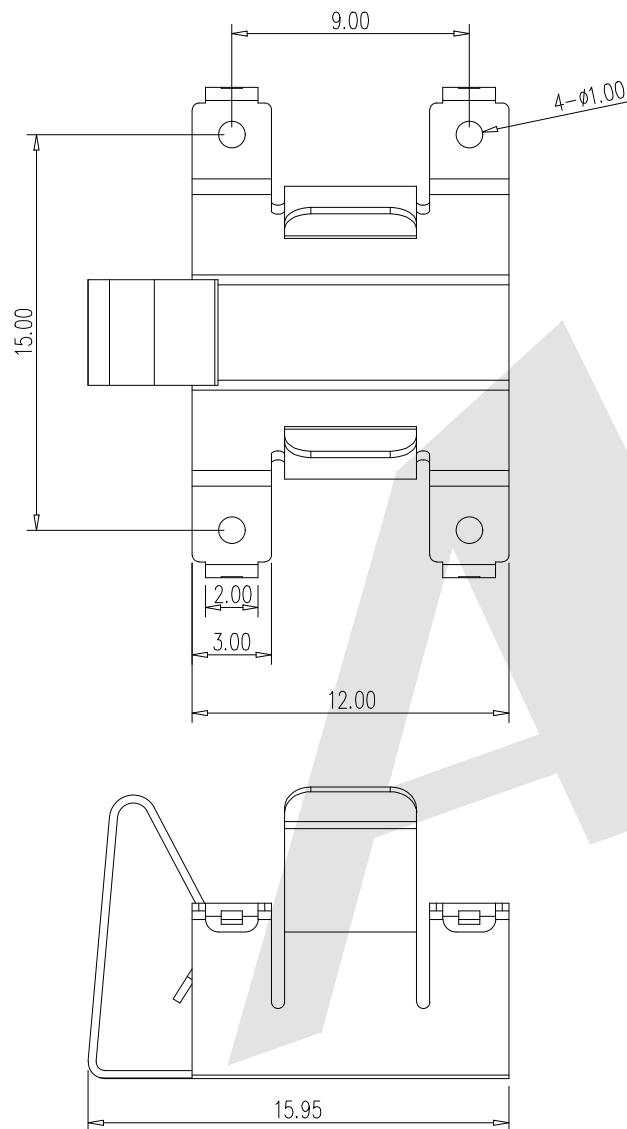


HSF



Specification:

- 1. Material: Manganese steel G65, sheet 0.3mm
- 2. Plating: Tin-Ni plated by 10um;

Order code:

BS - M - SN - B - FTM880
 ① ② ③ ④ ⑤

- ① BS: Battery contacts
- ② Appearance for the product
M: SMT
- ③ Contact Plating
Sl: Nickel plated
SN: Tin
G0: Gold flash
G1: 3U" Gold
G2: 5U" Gold
G3: 10U" Gold
G4: 15U" Gold
G5: 30U" Gold
- ④ Packing:
B: Bag bulk packing
R: Tape & Reel packing
- ⑤ Product number
FTM880

Unless Otherwise specified tolerance
 X.±0.35 X.XX:±0.20
 X.X:±0.25 X.XXX:±0.15

SCALE: As Shown UNIT: mm
 DRAW ZLA DATE 09/20/2022
 CHECK Bob Yang DATE 09/20/2022
 VER.



Antenk® ANTENK ELECTRONICS CO.,LTD
 Http://www.antenk.com
 E-mail:sales@antenk.com

TITLE: Battery Contact Offset 6.35mm SMT

DRAWING NO: BS-M-SN-R-FTM880
 PRODUCT NO: BS-M-SN-R-FTM880

REV	DESCRIPTION	DATE