

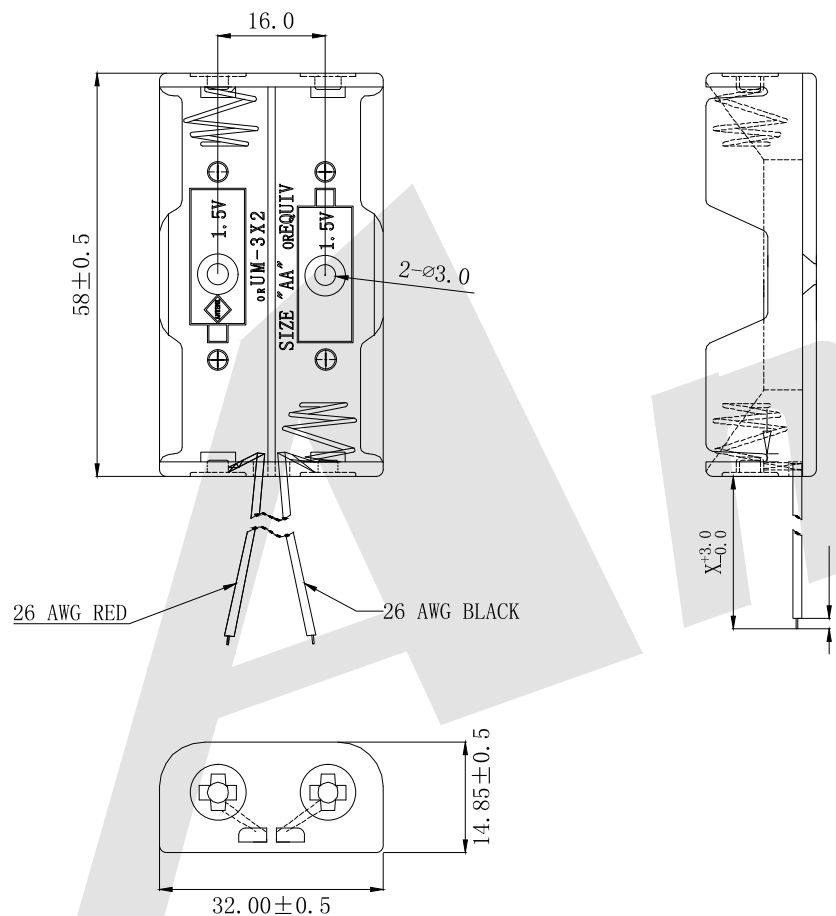


- 1. HOLDER MAT' L: POLYPROPYLENE
SPRING MAT' L: MUSIC WIRE, (0.60) DIA.
FINISH: NICKEL PLATE
- 2. WIRE SPEC: 1007 26# AWG UL/CSA,
RED/BLACK, stripped with Tin plated

Ordering Code:

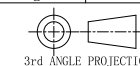
BBA - 5 - 2 - X - B
 ① ② ③ ④ ⑤

- ① BBA: Battery Holders
- ② BATTERY TYPE
5: AA SIZE
- ③ BATTERY NUMBERS
2: 2 Pieces
- ④ Wire Length X
For example:
150=150mm
- ⑤ Packing
A: TRAY B: BAG



Unless Otherwise specified tolerance
 X. ± 0.35 X. XX: ± 0.20
 X. X: ± 0.25 X. XXX: ± 0.15

SCALE: As Shown UNIT: mm
 DRAW: Jack Bao DATE: 02/01/2019
 CHECK: BobYang DATE: 02/01/2019



Antenk® ANTENK ELECTRONICS CO., LTD
[Http://www.antenk.com](http://www.antenk.com)
 E-mail: sales@antenk.com

TITLE: 2 PIECES AA Battery Holders

DRAWING NO: BBA-5-2-X-B

PRODUCT NO: BBA-5-2-X-B

Revise The Drawing Based Sample

07/18/2022

REV DESCRIPTION

DATE