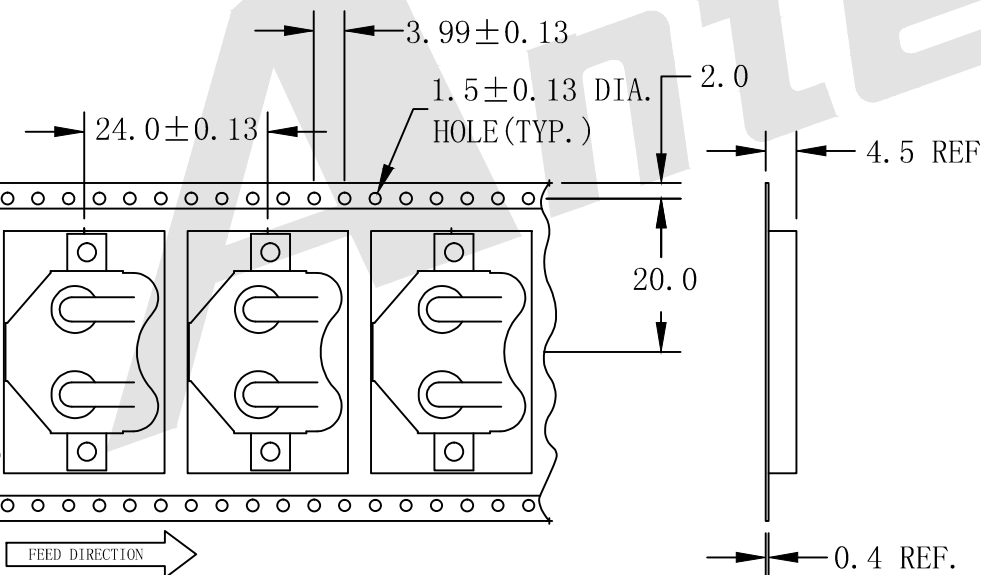
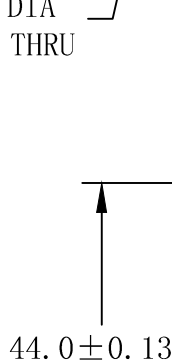
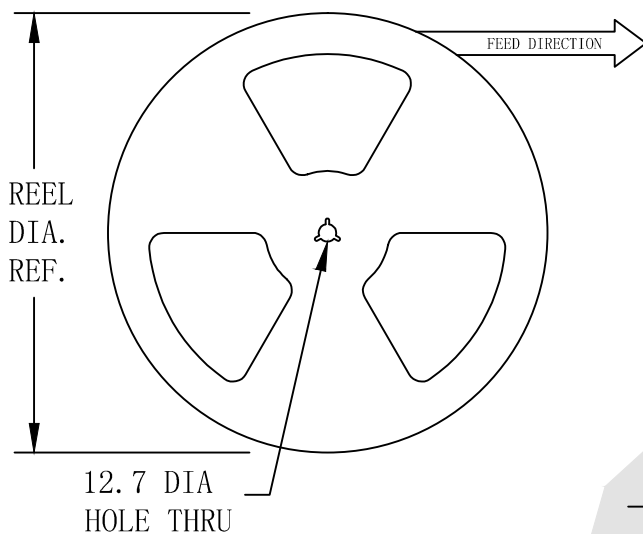




HSF



ROHS



前后各空18个

- NOTES:  
TAPE AND REEL SPECIFICATIONS:
1. TAPE:  
MAT'L-ALL CONDUCTIVE POLYSTYRENE CARRIER  
ANSI/EIA-481 STANDARD  
44.0 WIDE; 24.0 PITCH
  2. REEL:  
330.2 DIA. 500 PIECES OF  
PART NO. BS-M-SI-3002-R PER REEL.

Unless otherwise specified tolerance  
X. ±0.35 X.XX: ±0.20  
X.X: ±0.25 X.XXX: ±0.15

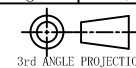
**Antenk**® ANTENK ELECTRONICS CO., LTD  
Http://www.antenk.com  
E-mail:sales@antenk.com

SCALE: As Shown	UNIT: mm
DRAW Lv Xun Hua	DATE 03/16/2019
CHECK BobYang	DATE 03/16/2019

TITLE: BATTERY CONTACTS FOR CR3002. BR2016. DL2020.  
CR2025. CR2032

DRAWING NO: BS-M-SI-R-CR3002A

PRODUCT NO: BS-M-SI-R-CR3002A



change BT-M-SN-3002-R to BS-M-SN-R-CR3002A

16/03/2019

REV DESCRIPTION

DATE