

HSF



SPECIFICATIONS

- Voltage rating: 50V AC,DC
- Current rating: 1A, AC, DC
- Withstanding Voltage: 500V AC/minute
- Insulation resistance: 100MΩ min
- Temperature range: -40°C~+105°C

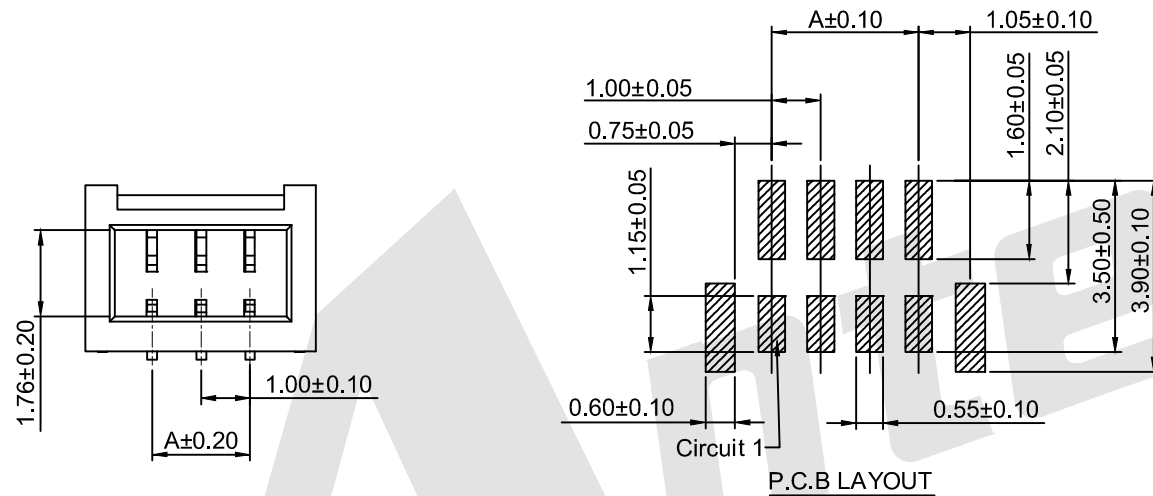
WAFER

- Part NO: AW1002VB-S-xP
- Material: Pin: Phosphor Bronze/Tin over Nickel
Solder Tabs: Phosphor Bronze/Tin over Nickel
Insulator: Nylon 9T, UL94V-0
- Mates with: AH1002B-xP series Single Row Housing
- Color: Ivory

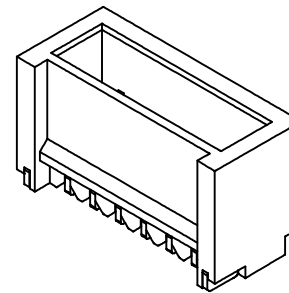
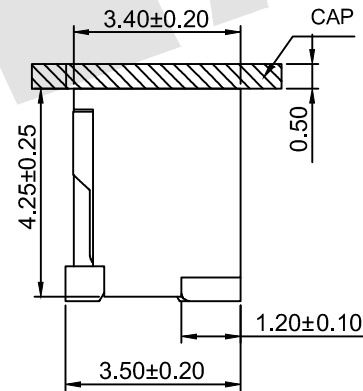
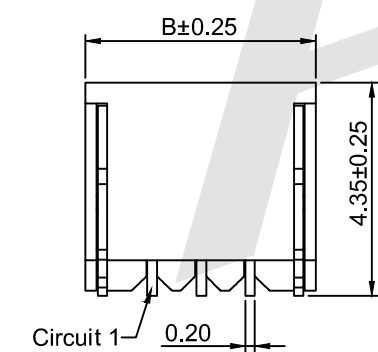
Ordering Information & Dimensions:

| Part No. | Dimensions (mm) | |
|----------------|-----------------|-------|
| | A | B |
| AW1002VB-S-02P | 1.00 | 3.70 |
| AW1002VB-S-03P | 2.00 | 4.70 |
| AW1002VB-S-04P | 3.00 | 5.70 |
| AW1002VB-S-05P | 4.00 | 6.70 |
| AW1002VB-S-06P | 5.00 | 7.70 |
| AW1002VB-S-07P | 6.00 | 8.70 |
| AW1002VB-S-08P | 7.00 | 9.70 |
| AW1002VB-S-09P | 8.00 | 10.70 |
| AW1002VB-S-10P | 9.00 | 11.70 |
| AW1002VB-S-11P | 10.00 | 12.70 |
| AW1002VB-S-12P | 11.00 | 13.70 |
| AW1002VB-S-13P | 12.00 | 14.70 |
| AW1002VB-S-14P | 13.00 | 15.70 |
| AW1002VB-S-15P | 14.00 | 16.70 |
| AW1002VB-S-16P | 15.00 | 17.70 |
| AW1002VB-S-17P | 16.00 | 18.70 |
| AW1002VB-S-18P | 17.00 | 19.70 |
| AW1002VB-S-19P | 18.00 | 20.70 |
| AW1002VB-S-20P | 19.00 | 21.70 |

Unit: mm

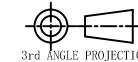


P.C.B LAYOUT



Unless Otherwise specified tolerance
 X. ±0.35 X.XX: ±0.20
 X.X: ±0.25 X.XXX: ±0.15

SCALE: As Shown UNIT: mm
 DRAW: Jack Bao DATE: 10/23/2017
 CHECK: Bob Yang DATE: 10/23/2017



Antenk® ANTENK ELECTRONICS CO., LTD
[Http://www.antenk.com](http://www.antenk.com)
 E-mail: sales@antenk.com

TITLE: 1.00mm pitch 180° Single Row Wafer-SMT Connector Series

DRAWING NO: AW1002VB-S-xP

PRODUCT NO: AW1002VB-S-xP

| REV | DESCRIPTION | DATE |
|-----|-------------|------|
| 1 | | |
| 2 | | |