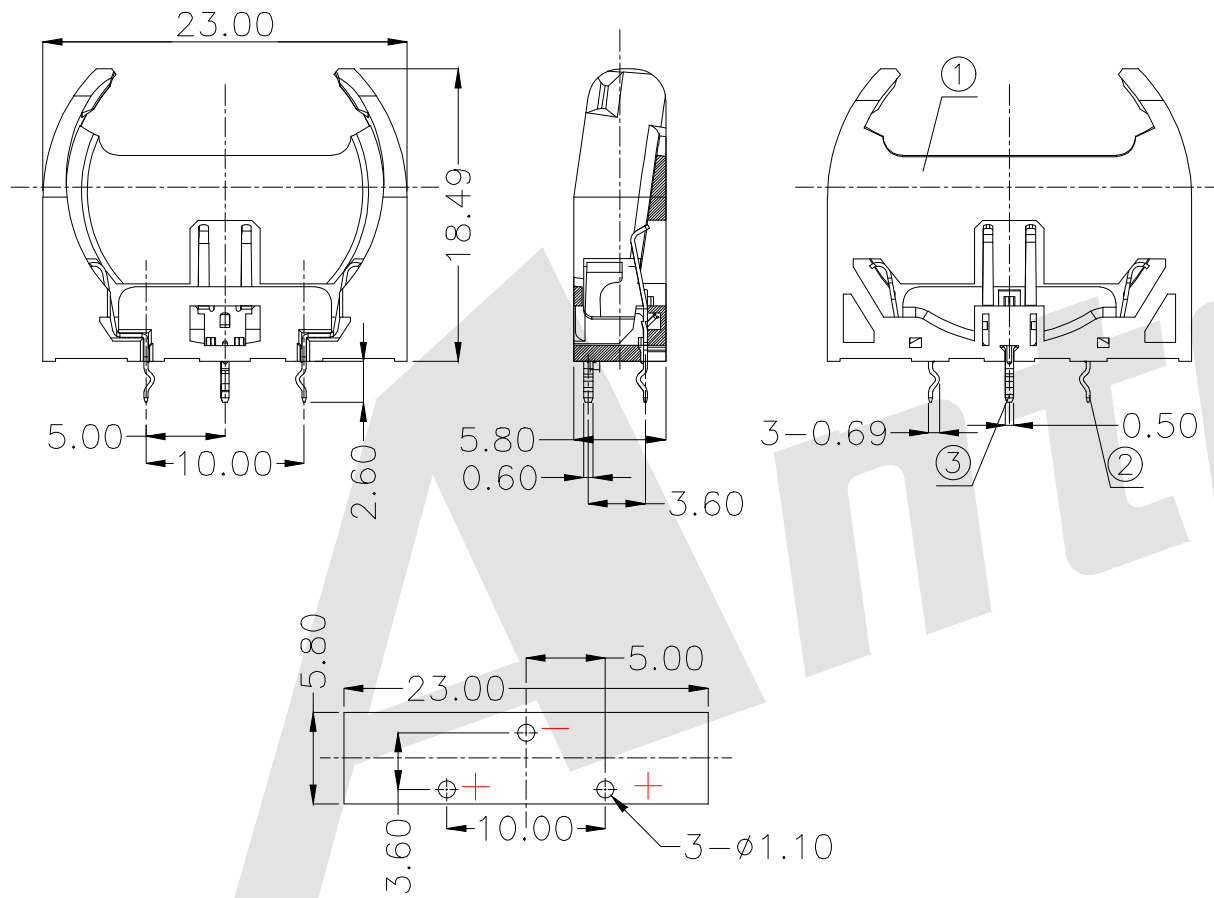


HSF



PCB Layout Diagram
Top View

NOTE 说明:

- 1. MATERIAL 材料:
 - a. HOUSING 胶芯: PA66 UL94V-0
 - b. CONTACT 端子: 304 Stainless Steel 不锈钢
(SURFACE PLATING 表面电镀: Gold Flash / Matte Tin 半金雾锡)
 - SEE ORDERING INFORMATION 见订单信息
- 2. ELECTRIC 电气性能:
 - a. CONTACT RESISTANCE 接触电阻: 30 MILLIOHMS 毫欧 MAX 最大
 - b. INSULATION RESISTANCE 绝缘电阻: 1000MEGA OHMS 兆欧 MIN 最小
 - c. DIELECTRIC WITHSTAND VOLTAGE 耐压: 500V AC 交流 ONE MINUTE 1分钟
 - d. OPERATING TEMPERATURE 工作温度: - 25°C ~ + 85°C

Order code:

BT — S — SO — A — CR2032Y
① — ② — ③ — ④ — ⑤

- ① BT: Coin Cell Holders
- ② Appearance for the product S:180 TYPE
- ③ Contact Plating
SN: Tin
G0: Gold flash S0: Gold flash/SN
G1: 3U" Gold S1: 3U" Gold/SN
G2: 5U" Gold S2: 5U" Gold/SN
G3: 10U" Gold S3: 10U" Gold/SN
G4: 15U" Gold S4: 15U" Gold/SN
G5: 30U" Gold S5: 30U" Gold/SN
- ④ Packing method
A: Tray packing
R: Tape & reel packing
- ⑤ Product number
CR2032Y

3	TERMINAL(-) 端子-	1	304 Stainless Steel, T=0.25MM	Gold Flash Matte Tin 半金雾锡
2	TERMINAL(+) 端子+	1	304 Stainless Steel, T=0.25MM	Gold Flash Matte Tin 半金雾锡
1	HOUSING 胶芯	1	PA66	BLACK 黑色
NO.	PART NAME 零件名称	Q'TY	MATERIAL 材料	PLATING & COLOR 电镀/颜色

Unless Otherwise specified tolerance
X.±0.35 X.XX:±0.20
X.X:±0.25 X.XXX:±0.15

SCALE: As Shown UNIT: mm
DRAW ZLA DATE 12/07/2022
CHECK BobYang DATE 12/07/2022
VER./版本号

Antenk® ANTENK ELECTRONICS CO.,LTD
Http://www.antenk.com
E-mail:sales@antenk.com

TITLE: Coin Cell Holders FOR CR2032Y
180° DIP

DRAWING NO: BT-S-SO-A-CR2032Y
PRODUCT NO: BT-S-SO-A-CR2032Y

MK/标记	DESCRIPTION/修订内容	DATE/日期(M/D/Y)
-------	------------------	----------------

A0 3rd ANGLE PROJECTION