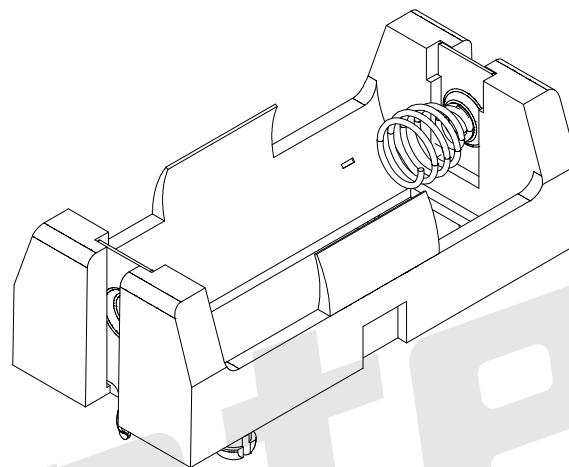
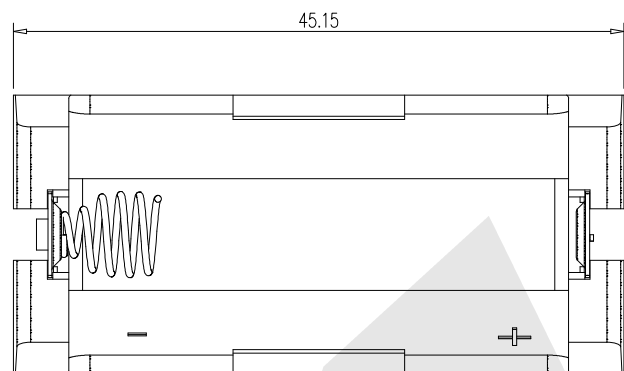


HSF

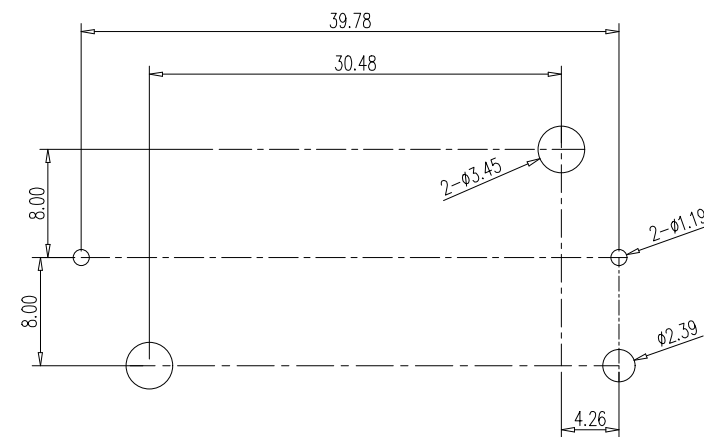
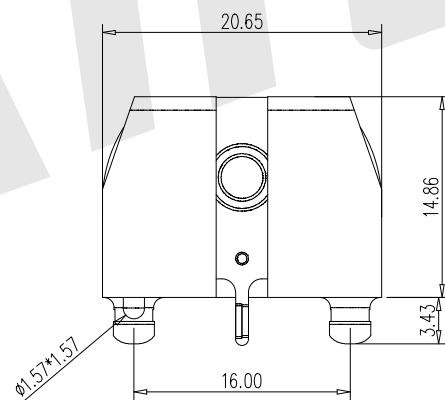
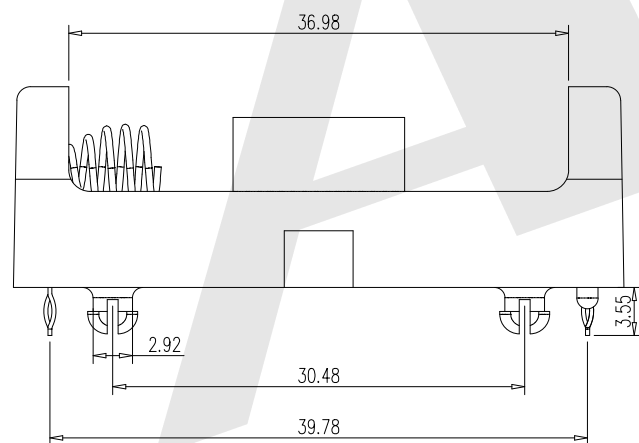


Material:  
 Base: PA46+30%GF, BLACK, UL94V-0;  
 CONTACT: 0.3MM THK STAINLESS STEEL  
 FINISH: BRIGHT TIN 200U" OVER NICKEL 50U"



BBC - S - SN - A - 111  
 ① ② ③ ④ ⑤

- ① BBC: Battery Holder 电池盒
- ② Apperance for the product 连接形式
- S: 180°
- ③ Contact Plating 端子电镀
  - SI: Tin NICKEL Plated 锡镍合金 G2: 5U" Gold 金
  - SN: Tin 锡 G3: 10U" Gold 金
  - GO: Gold flash 普金 G4: 15U" Gold 金
  - G1: 3U" Gold 金 G5: 30U" Gold 金
- ④ Packing method 包装方式
  - A: Tray packing 吸塑盒装
  - B: BAG 袋装
- ⑤ Product number 产品编号  
111



Unless Otherwise specified tolerance  
 X.±0.35 X.XX:±0.20  
 X.X:±0.25 X.XXX:±0.15

SCALE: As Shown UNIT: mm  
 DRAW YH DATE 1/2/2024  
 CHECK BobYang DATE 1/2/2024

VER./版本号 3rd ANGLE PROJECTION

**Antenk**® ANTENK ELECTRONICS CO., LTD  
 Http://www.antenk.com  
 E-mail:sales@antenk.com

TITLE: Single Battery Holder For 18350 THM

DRAWING NO: BBC-S-SN-A-111  
 PRODUCT NO: BBC-S-SN-A-111

MK/标记	DESCRIPTION/修订内容	DATE/日期(M/D/Y)