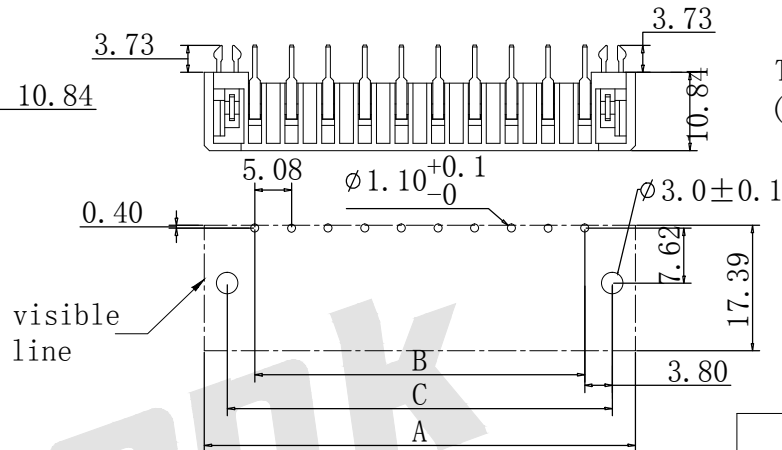
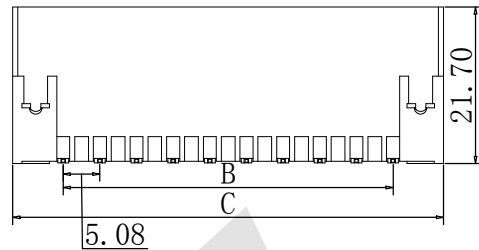
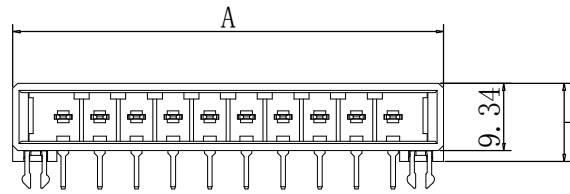


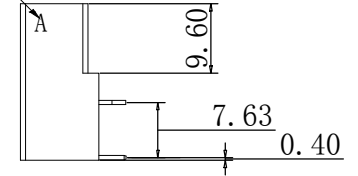
HSF



ROHS



TYPE A  
(TYPE B)



PCB hole size thickness  $1 \sim 1.6\text{mm}$

NOTE:

Electric

Rated Voltage:600v AC,DC  
 Rated Current:single pole  $\leq 16\text{A}$   
 Contact Resistance: $\leq 10\text{m}\Omega$   
 Proof Voltage:2200V AC(1 min)  
 operating Temperature: $-55^{\circ}\text{C} + 105^{\circ}\text{C}$

Materials

Terminal:brass  
 Surface Treatment:Nickel plating gold  
 Housing:glass fiber reinforced PBT, UL94V-0, black  
 Part NO. :AW5081R-XP

PIN	Dimensions (mm)		
	A	B	C
2	19.08	5.08	12.70
3	24.16	10.16	17.78
4	29.24	15.24	22.86
5	34.32	20.32	27.94
6	39.40	25.40	33.02
7	44.48	30.48	38.10
8	49.56	35.56	43.18
9	54.64	40.64	48.26
10	59.72	45.72	53.34

Unless Otherwise specified tolerance  
 X.  $\pm 0.35$  X.XX:  $\pm 0.20$   
 X.X:  $\pm 0.25$  X.XXX:  $\pm 0.15$

SCALE: As Shown UNIT: mm  
 DRAW: TMX DATE: 13/01/2022  
 CHECK: BobYang DATE: 13/01/2022

**Antenk** ANTENK ELECTRONICS CO.,LTD  
 Http://www.antenk.com  
 E-mail:sales@antenk.com

TITLE:  
 5.08mm dynamic 90° wafer connector

DRAWING NO: AW5081R-XP

PRODUCT NO: AW5081R-XP



REV	DESCRIPTION	DATE
		11/09/2020

