



SPECIFICATIONS

- Voltage rating: 250V AC,DC
- Current rating: 3A AC,DC
- Withstanding Voltage: 1000V AC/minute
- Insulation resistance: 1000MΩ min
- Temperature range: -40°C→+105°C

Ordering Information:

AW2549RB-xP **_**

1 2 3

1.Part No.

2.Color:

(blank):Blue

BK:Black

3.Finish

(Blank)-Tin Over Nickel

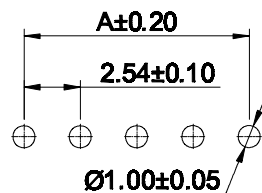
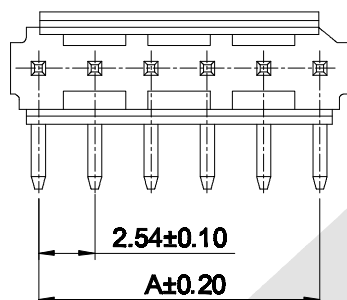
G-Gold Over Nickel

WAFER

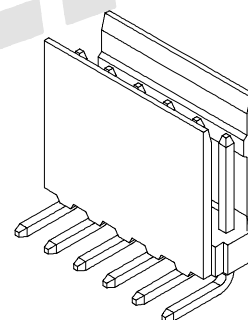
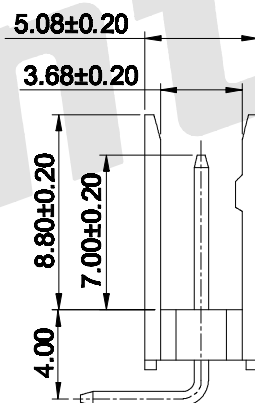
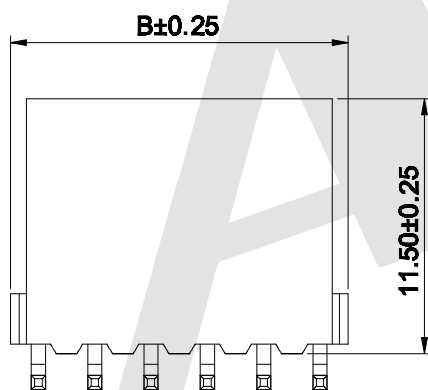
- Part NO: AW2549RB-xP
- Material: Pin: Brass/Tin over Nickel
Insulator: Nylon 66, UL94V-0
- Mates with: AH2549B AH2550A series Housing
- Color: Blue

A

A



P.C.B LAYOUT



Ordering Information & Dimensions:

Poles	Part No.	Dimensions (mm)	
		A	B
02	AW2549RB-02P	2.54	5.08
03	AW2549RB-03P	5.08	7.62
04	AW2549RB-04P	7.62	10.16
05	AW2549RB-05P	10.16	12.70
06	AW2549RB-06P	12.70	15.24
07	AW2549RB-07P	15.24	17.78
08	AW2549RB-08P	17.78	20.32
10	AW2549RB-10P	22.86	25.40
12	AW2549RB-12P	27.94	30.48
15	AW2549RB-15P	35.56	38.10
17	AW2549RB-17P	40.64	43.18
18	AW2549RB-18P	43.18	45.72

Unit:mm

B

B

C

C

D

D

Unless Otherwise specified tolerance
 I ±0.35 I, XX: ±0.20
 I, X: ±0.25 I, XXX: ±0.15

SCALE: As Shown UNIT: mm
 DRAW Jack Bao DATE 07/18/2018
 CHECK Bob Yang DATE 07/18/2018



Antenk ANTENK ELECTRONICS CO.,LTD
[Http://www.antenk.com](http://www.antenk.com)
 E-mail:sales@antenk.com

TITLE: 2.54mm pitch Single Row 90° Wafer Connector Series

DRAWING NO: AW2549RB-xP

PRODUCT NO: AW2549RB-xP

REV DESCRIPTION

DATE

1 2 3 4 5 6 7 8