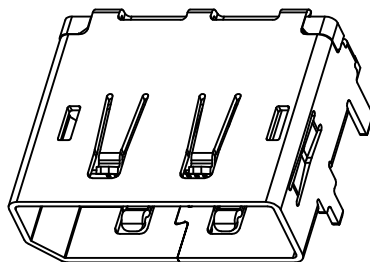
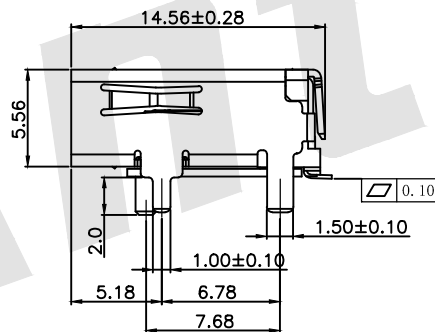
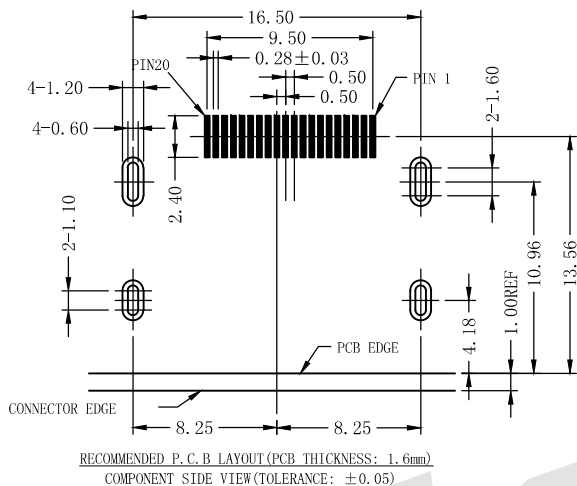
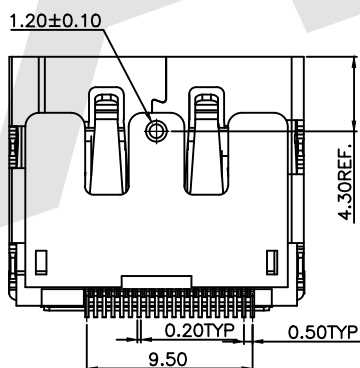
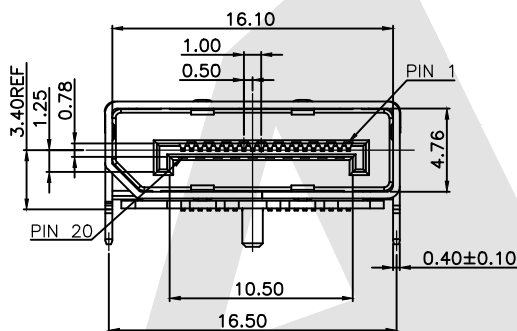
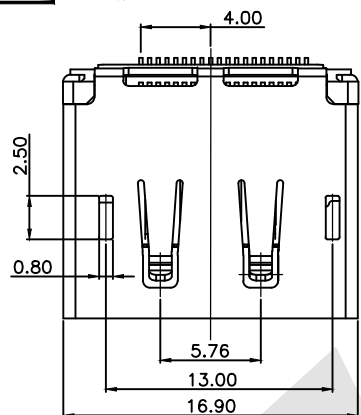


HSF

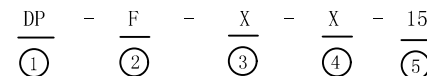


3D VIEW

NOTE:

1. MATERIAL:
 - 1.1 HOUSING: LCP, UL 94V-0
COLOR: BLACK.
 - 1.2 CONTACT: C2680, T=0.20mm.
 - 1.3 SHIELD: C2680, T=0.40mm.
 - 1.4 COVER: LCP, UL 94V-0
2. FINISH:
 - 2.1 CONTACT: GOLDFLASH PLATING IN CONTACT AREA,
80u"MIN Tin PLATED IN SOLDER AREA,
30u" MIN. NICKEL UNDERPLATED OVERALL.
 - 2.2 SHIELD: 50u" MIN. NICKEL UNDERPLATED OVERALL.
3. MECHANICAL CHARACTERISTICS
 - 3.1 RATING CURRENT: 0.5A
 - 3.2 RATING VOLTAGE: 40V
 - 3.3 CONTACT RESISTANCE: 40 mΩ MAX
 - 3.4 INSULATION RESISTANCE:
 - a, UNMATED: 100MΩ MIN AT 500 VDC
 - b, MATED: 10M OHMS MIN AT 150 VDC
 - 3.5 DIELECTRIC WITHSTANDING VOLTAGE: 500V AC/1MINUTE
 - 3.6 DURABILITY: 10000 CYCLES.
 - 3.7 OPERATING TEMPERATURE: -20°C~+85°C
 - 3.8 STORAGE TEMPERATURE: -20°C~+65°C
4. NOTES:
 - 4.1 ALL COMPONENTS ARE RoHS COMPLIANT.
 - 4.2 RESISTANCE TO SOLDERING HEAT: 265° C FOR 10 SECONDS.

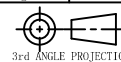
Ordering Code:



- ① Series No:
- ② Male / female:
F: Female
- ③ Contact Plating:
1: Selective 1u"
2: Selective 3u"
3: Selective 5u"
4: Selective 15u"
5: Selective 30u"
6: All Gold
- ④ Shell Plating:
1: Nickel Plated
2: Tin-Nickel Plated
3: Gold Plated
- ⑤ Series Numer:
15

Unless Otherwise specified tolerance
X. ±0.35 X.XX: ±0.20
X.X: ±0.25 X.XXX: ±0.15

SCALE: As Shown UNIT: mm
DRAW ZLA DATE 26/03/2022
CHECK BobYang DATE 26/03/2022



Antenk ANTENK ELECTRONICS CO., LTD
Http://www.antenk.com
E-mail:sales@antenk.com

TITLE:
Display Port Female SMT Plain Top Without
Edge Curl

DRAWING NO: DP-FXX15

PRODUCT NO: DP-FXX15

REV

DESCRIPTION

DATE

1

2

3

4

5

6

7

8