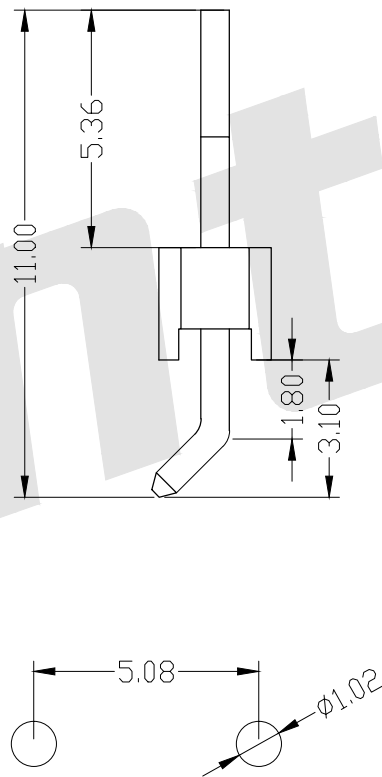
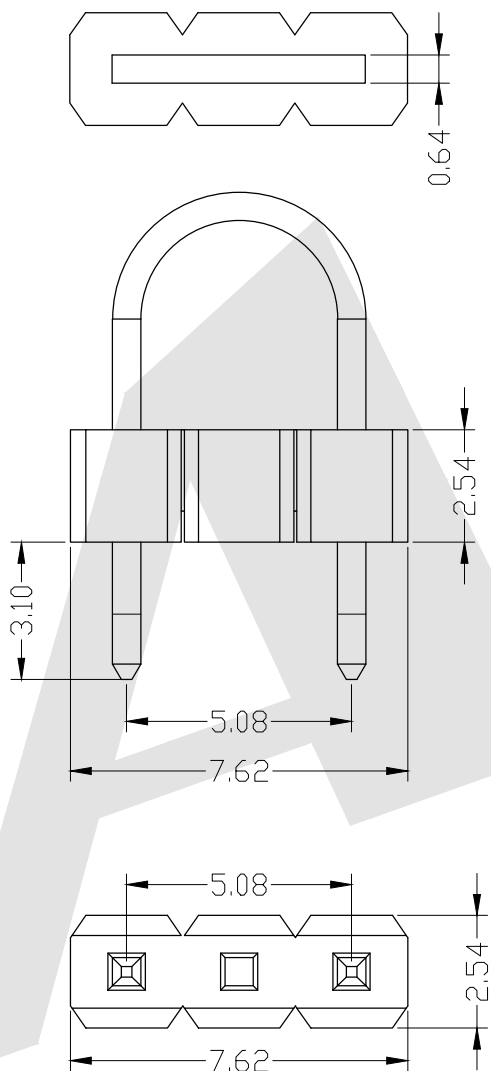


HSF



SPECIFICATIONS:

Current Rating: 3 Amp
 Insulation Resistance: 5000M ohms min
 Contact Resistance: 20M ohms max
 Dielectric Withstanding: AC500V
 Operating Temperature: -65° C to +125° C
 Contact Material: Brass
 Insulator Material: PBT, UL 94V-0 Black



PCB LAYOUT

Ordering Code:

PHEU01 - 03 - X - X - X - X - 02
 ① ② ③ ④ ⑤ ⑥ ⑦

① Series No:

② No. of Contacts:
03

③ Contact Plating:

G0:Gold flash S0:Selective
 G1:3U" Gold S1:Selective 3u"
 G2:5u" Gold S2:Selective 5u"
 G3:10u" Gold S3:Selective 10u"
 G4:15u" Gold S4:Selective 15u"
 G5:30u" Gold S5:Selective 30u"
 SN:Tin

④ Pin Length:

B:0310=3.10mm
 Please mark the desired length in the B

⑤ Insulator Material:

A:PBT
 B:PA6T
 C:LCP
 D:PA46
 E:PA9T

⑥ Packing:

A:Tray
 B:Bag
 T:Tube
 U:Tube+CAP
 R:Tape&Reel
 W:Tape&Reel+CAP

⑦ Number:

02

Standard IE P/N :

PHEU01-03XXXX02

B	Unless Otherwise specified tolerance	
	X. ±0.35	X.XX: ±0.20
3.10	X.X: ±0.25	X.XXX: ±0.15
	SCALE: As Shown	UNIT: mm
Optional	DRAW Wu Feng Rong	DATE 15/01/2020
	CHECK BobYang	DATE 01/05/2016

Antenk ANTENK ELECTRONICS CO.,LTD
[Http://www.antenk.com](http://www.antenk.com)
 E-mail:sales@antenk.com

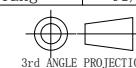
TITLE: 2.54mm Pin Header Single
 Row 45 Degrees Hook Type

DRAWING NO: PHEU01-03XXXX02

PRODUCT NO: PHEU01-03XXXX02

Increase packing method and material

2016/10/25



REV

DESCRIPTION

DATE

1

2

3

4

5

6

7

8