



NOTE说明:

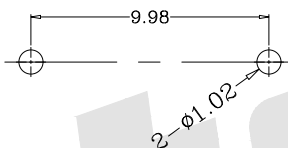
- 1. BASE胶芯:PBT (UL94V-0) BLACK 黑色
- 2. CONTACTS端子:0.4 TH' K SPRING STEEL 弹簧钢

Order code订单编号:

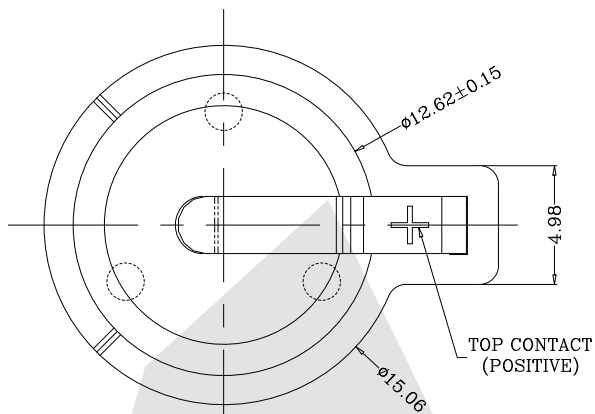
$\frac{BT}{①}$ — $\frac{S}{②}$ — $\frac{SN}{③}$ — $\frac{A}{④}$ — $\frac{500}{⑤}$

MOUNTING DETAIL

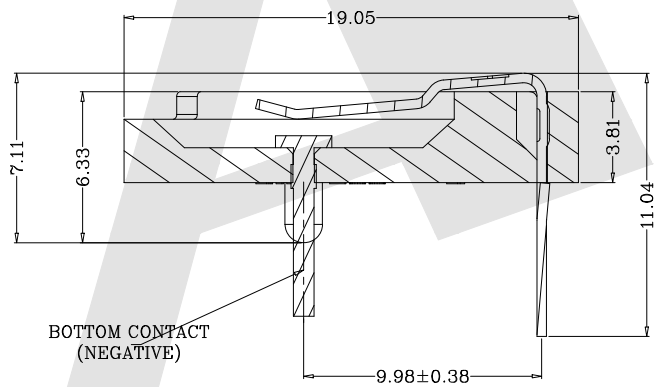
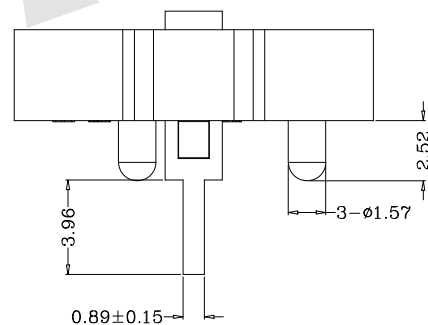
装配图



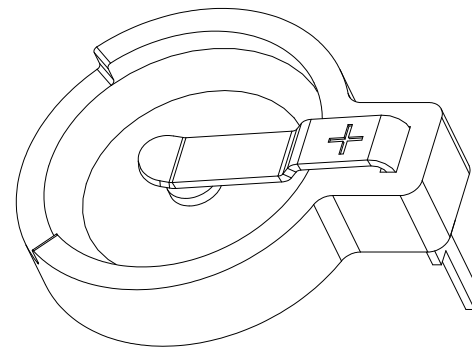
- ① BT: Coin Cell Holders
- ② Appearance for the product产品类型
S:180 TYPE
- ③ Contact Plating 端子电镀
SN: Tin 锡
G0: Gold flash 普金
G1: 3U" Gold 金
G2: 5U" Gold 金
G3: 10U" Gold 金
G4: 15U" Gold 金
G5: 30U" Gold 金
SI: Tin Nickel Plate 锡镍合金
- ④ Packing method 包装
A: Tray 吸塑盒装
B: Bag 袋装
- ⑤ Product number 编号
500



TOP CONTACT (POSITIVE)



BOTTOM CONTACT (NEGATIVE)



Unless Otherwise specified tolerance
 X. ±0.35 X.XX: ±0.20
 X.X: ±0.25 X.XXX: ±0.15

SCALE: As Shown	UNIT: mm
DRAW GONGFENG	DATE 22/04/2022
CHECK BobYang	DATE 22/04/2022
VER A0	3rd ANGLE PROJECTION

ANTENK ELECTRONICS CO.,LTD
[Http://www.antenk.com](http://www.antenk.com)
 E-mail:sales@antenk.com

TITLE: 12mm PC BATTERY HOLDER FOR CR1212 CR1216 CR1220 CR1225

DRAWING NO: BT-S-SN-A-500

PRODUCT NO: BT-S-SN-A-500

REV	DESCRIPTION	DATE
1		
2		
3		
4		
5		