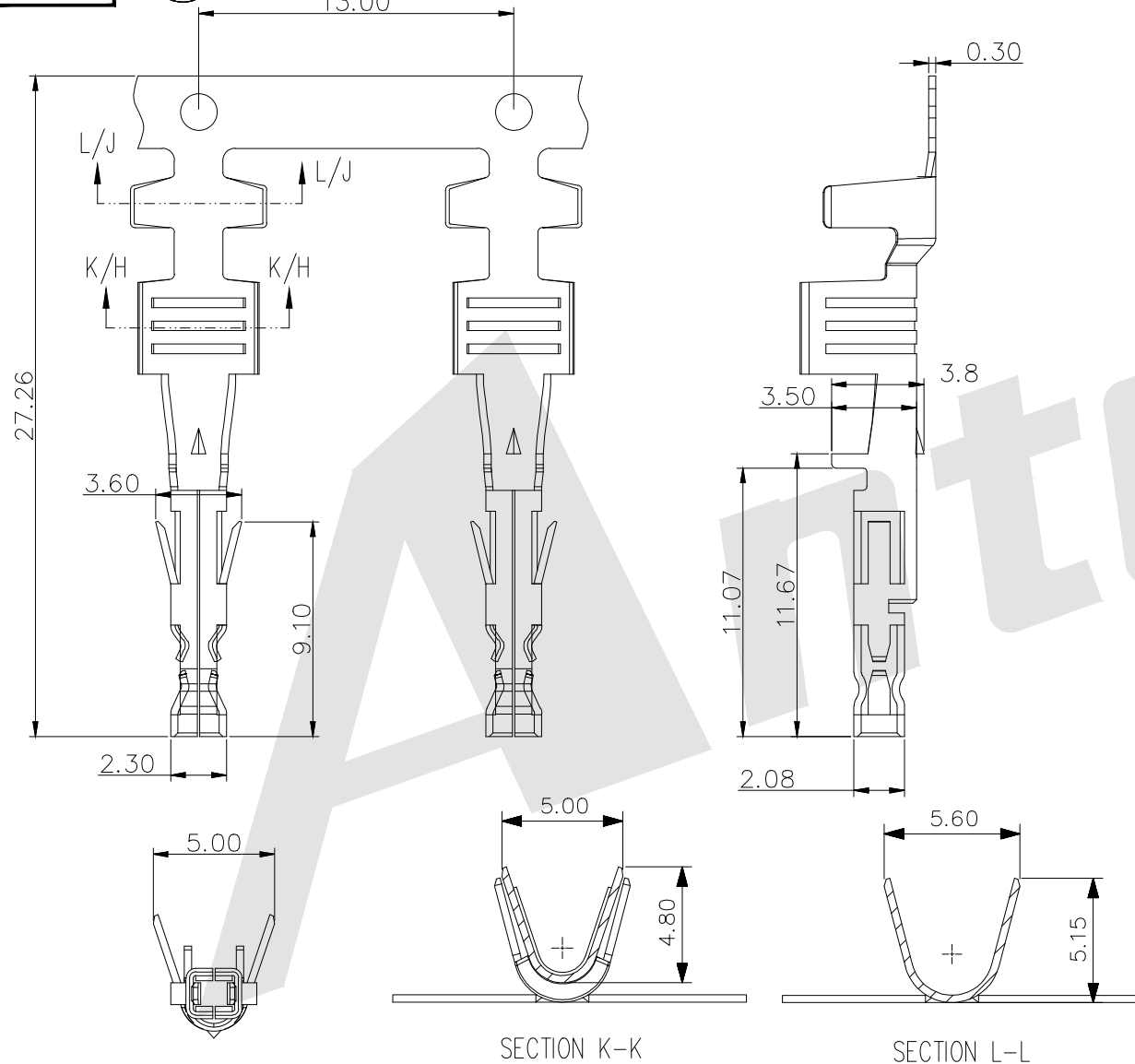


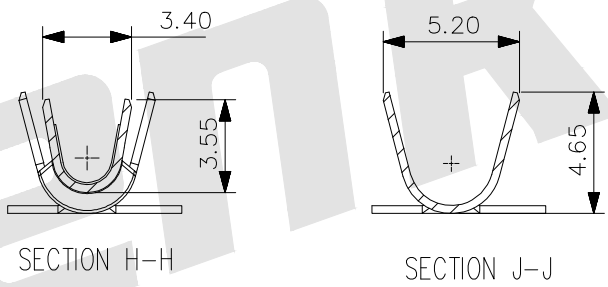
HSF

RoHS 13.00



SPECIFICATION:

- 1.Current Rating: 23A AC/DC
- 2.Voltage Rating: 600V AC/DC
- 3.Contact Resistance: 15mΩ Max
- 4.Insulation Resistance: 1000MΩ min
- 5.Withstanding Voltage: 2200V AC/Minute
- 6.Temperature Range: -40 °c ~ +105 °c
- 7.Metarial:High contactivity copper alloy and Tin-plated



CONDUCTOR AND INSULATION 14/16AWG

Ordering Information

Part No.	Wire range	Type Code
AT5701F-A-1	#12	1
AT5701F-A-2	#14~#16	2

CONDUCTOR AND INSULATION 12AWG

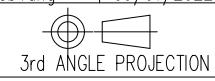
Unless Otherwise specified tolerance  
 X.±0.35 X.XX:±0.20  
 X.X:±0.25 X.XXX:±0.15

SCALE: As Shown UNIT: mm  
 DRAW ZLA DATE 09/01/2022  
 CHECK BobYang DATE 09/01/2022

**Antenk**® ANTENK ELECTRONICS CO.,LTD  
 Http://www.antenk.com  
 E-mail:sales@antenk.com

TITLE:  
 5.70mm pitch Crimp Terminal Connector series

DRAWING NO: AT5701F-A-X  
 PRODUCT NO: AT5701F-A-X



REV	DESCRIPTION	DATE