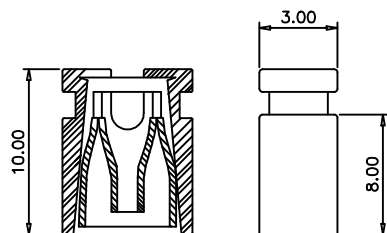


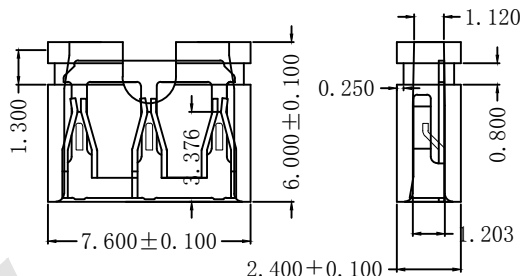
HSF



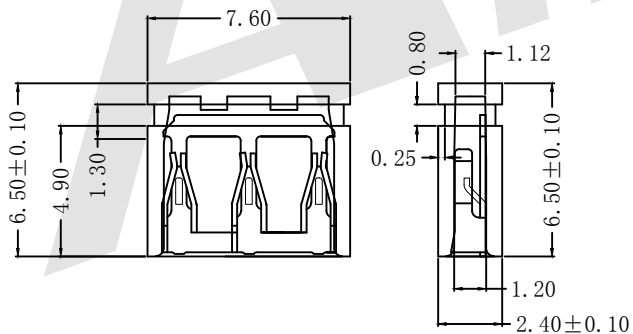
ROHS



A TYPE:Open



B TYPE:Closed



C TYPE:Closed

NOTE:

一. MATERIAL:

- 1 INSULATOR:PBT+30%G. F (94V-0)
- 2 CONTACT PLATING:AU OR SN. OVER NI
- 3 CONTACT MATERIAL:PHORPHOS BRONZE

二. ELECTRICAL CHARACTERISTICS:

- 1 CONTACT RESISTANCE:20mΩ MAXIMUM
- 2 CONTACT CURRENT RATING:1.5AMP
- 3 DIELECTRIC WITHSTANDING VOLTAGE:1000V AC/MINUTE
- 4 INSULATION RESISTANCE 500mΩ MEGOHMS MIN
- 5 OPERATING TEMPERATURE:-40° C ~ 105° C

Ordering Code:

MNJ05 - X - X - X - X - X
 ① ② ③ ④ ⑤ ⑥

- ① Series No:
- ② Insulator:
C:Closed type
0:Open type
- ③ Contact Material:
A:Black
B:Red
C:Blue
D:Green
E:Yellow
F:Grey
- ④ Insulator Material
A:PBT B:PA6T
S:SPECIAL
- ⑤ Contact Plating
G0: Gold flash S0: Gold flash/Ni
G1: 3u" Gold S1: 3u" Gold/Ni
G2: 5u" Gold S2: 5u" Gold/Ni
G3: 10u" Gold S3: 10u" Gold/Ni
G4: 15u" Gold S4: 15u" Gold/Ni
G5: 30u" Gold S5: 30u" Gold/Ni
SN: Tin
- ⑥ Option
A: A Type
B: B Type
C: C Type

Unless Otherwise specified tolerance
 X. ±0.35 X.XX: ±0.20
 X.X: ±0.25 X.XXX: ±0.15

Antenk ANTENK ELECTRONICS CO.,LTD
 Http://www.antenk.com
 E-mail:sales@antenk.com

SCALE: As Shown UNIT: mm
 DRAW Mo Guo Xuan DATE 23/02/2019
 CHECK BobYang DATE 23/02/2019

TITLE:
 5.08MM MINI JUMPER Closed type

DRAWING NO: MNJ05-CXXXX
 PRODUCT NO: MNJ05-CXXXX



REV	DESCRIPTION	DATE