

SPECIFICATIONS

- Voltage rating: 350V AC,DC
- Current rating: 3A AC,DC
- Withstanding Voltage: 500V AC/minute
- Insulation resistance:1000MΩ min
- Temperature range: -40℃+105℃

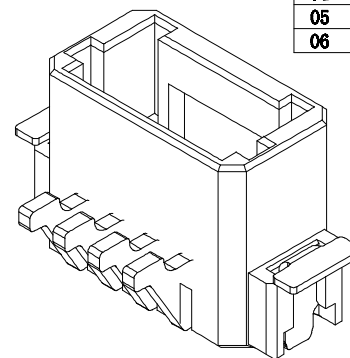
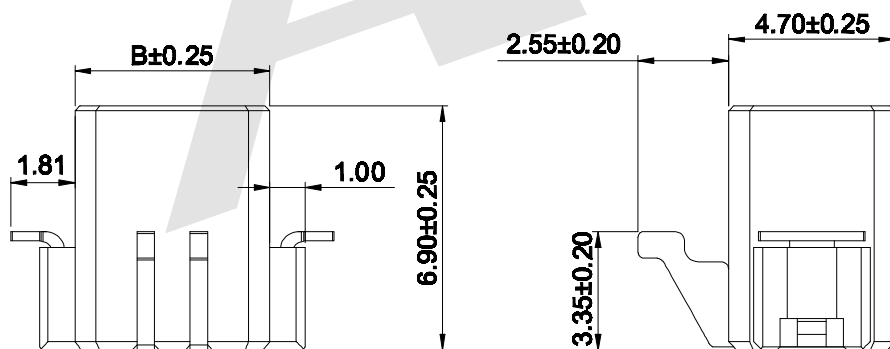
WAFER

- Part NO: AW1502VA-IT-S-xP
- Material: Pin: Brass/Tin over Nickel
Solder Tabs: Brass/Tin over Nickel
Insulator: LCP, UL94V-0
- Mates with: AH1502A series Housing
- Color: Ivory

Ordering Information & Dimensions:

Poles	Part No.	Dimensions (mm)			
		A	B	C	D
02	AW1502VA-IT-S-02P	1.50	5.50	6.00	4.10
03	AW1502VA-IT-S-03P	3.00	7.00	7.50	4.85
04	AW1502VA-IT-S-04P	4.50	8.50	9.00	5.60
05	AW1502VA-IT-S-05P	6.00	10.00	10.50	6.35
06	AW1502VA-IT-S-06P	7.50	11.50	12.00	7.10

Unit:mm



Unless Otherwise specified tolerance
 I ±0.35 I, XX: ±0.20
 I, X: ±0.25 I, XXX: ±0.15

SCALE: As Shown UNIT: mm
 DRAW Jack Bao DATE 12/16/2017
 CHECK Bob Yang DATE 12/16/2017



Antenk ANTENK ELECTRONICS CO.,LTD
[Http://www.antenk.com](http://www.antenk.com)
 E-mail:sales@antenk.com

TITLE: 1.50mm pitch thru board inverted SMT
 180° Wafer

DRAWING NO: AW1502VA-IT-S-xP

PRODUCT NO: AW1502VA-IT-S-xP

REV	DESCRIPTION	DATE
1		
2		
3		
4		
5		