

HSF



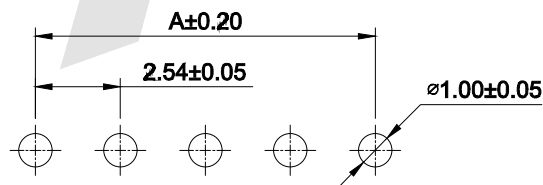
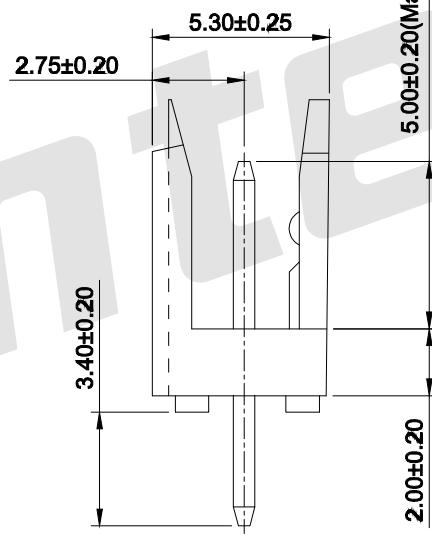
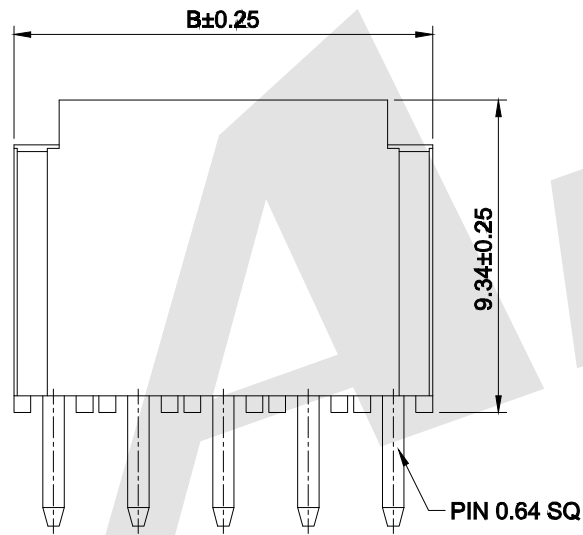
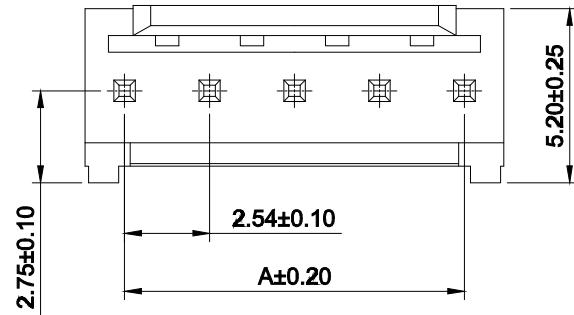
ROHS

SPECIFICATIONS

- Voltage rating: 250V AC,DC
- Current rating: 3A AC,DC
- Withstanding Voltage: 1000V AC/minute
- Insulation resistance:1000MΩ min
- Temperature range: -40℃+105℃
- Contact resistance:20mΩ Max

WAFER

- Part NO: A2549WVK-XP
- Material: Pin: Brass/Tin over Nickel  
Insulator: Nylon66+30%G.F, UL94V-0
- Mates with: AH2549-2 series Housing
- Color: Blue



P.C.B LAYOUT

Ordering Information & Dimensions:

Poles	Part No.	Dimensions (mm)	
		A	B
02	AW2549WVK-02P	2.54	4.90
03	AW2549WVK-03P	5.08	7.44
04	AW2549WVK-04P	7.62	9.98
05	AW2549WVK-05P	10.16	12.52
06	AW2549WVK-06P	12.70	15.06
07	AW2549WVK-07P	15.24	17.60
08	AW2549WVK-08P	17.78	20.14
09	AW2549WVK-09P	20.32	22.68
10	AW2549WVK-10P	22.86	25.22
11	AW2549WVK-11P	25.40	27.76
12	AW2549WVK-12P	27.94	30.30
13	AW2549WVK-13P	30.48	32.84
14	AW2549WVK-14P	33.02	35.38
15	AW2549WVK-15P	35.56	37.92
16	AW2549WVK-16P	38.10	40.46
17	AW2549WVK-17P	40.64	43.00
18	AW2549WVK-18P	43.18	45.54

Unit:mm

Unless Otherwise specified tolerance  
 X. ±0.35 X.XX: ±0.20  
 X.X: ±0.25 X.XXX: ±0.15

SCALE: As Shown UNIT: mm  
 DRAW: Yin Han DATE: 04/11/2024  
 CHECK: Bob Yang DATE: 04/11/2024

VER: V0  
 3rd ANGLE PROJECTION

**Antenk** ANTENK ELECTRONICS CO.,LTD  
[Http://www.antenk.com](http://www.antenk.com)  
 E-mail:sales@antenk.com

TITLE: 2.54mm pitch Single Row 180° Wafer Connector Series

DRAWING NO: A2549WVK-XP  
 PRODUCT NO: A2549WVK-XP

REV	DESCRIPTION	DATE