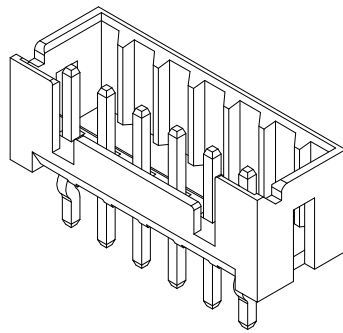


HSF



Ordering Information:

AW2011V-NP - **
 $\frac{1}{2}$

1.Part No.

2.Finish:

(blank): Tin over Nickel

G:Gold over Nickel

SPECIFICATIONS

- Voltage rating: 250V AC/DC
- Current rating: 3A, AC, DC
- Withstanding Voltage: 800V AC/minute
- Insulation resistance: 650MΩ min
- Temperature range: -40°C~+105°C

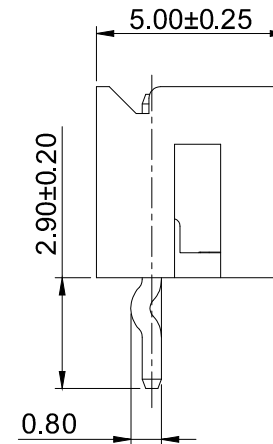
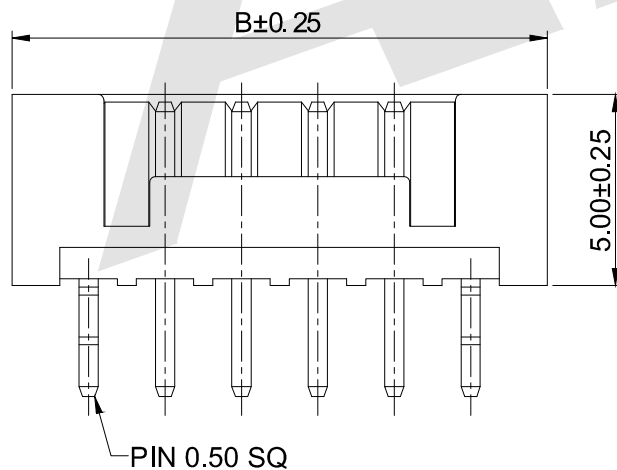
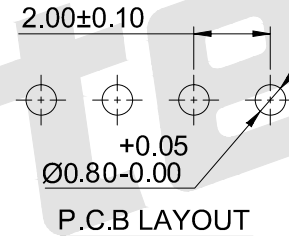
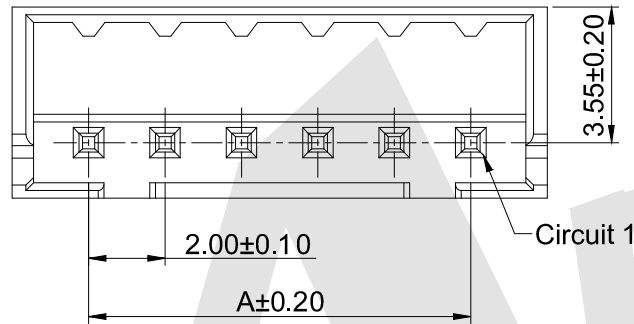
WAFER

- Part NO: AW2011V-NP-X
- Material: Pin: Brass/Tin over Nickel
 Insulator: Nylon 66, UL94V-0
- Mates with: AH2011-NP series Housing
- Color: Black

Ordering Information & Dimensions:

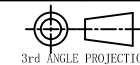
Poles	Part No.	Dimensions (mm)	
		A	B
2	AW2011V-2P-X	2.00	6.00
3	AW2011V-3P-X	4.00	8.00
4	AW2011V-4P-X	6.00	10.00
5	AW2011V-5P-X	8.00	12.00
6	AW2011V-6P-X	10.00	14.00
7	AW2011V-7P-X	12.00	16.00
8	AW2011V-8P-X	14.00	18.00
9	AW2011V-9P-X	16.00	20.00
10	AW2011V-10P-X	18.00	22.00
11	AW2011V-11P-X	20.00	24.00
12	AW2011V-12P-X	22.00	26.00
13	AW2011V-13P-X	24.00	28.00
14	AW2011V-14P-X	26.00	30.00
15	AW2011V-15P-X	28.00	32.00

Unit: mm



Unless Otherwise specified tolerance
 X. ±0.35 X.XX: ±0.20
 X.X: ±0.25 X.XXX: ±0.15

SCALE: As Shown UNIT: mm
 DRAW: Jack Bao DATE: 10/31/2017
 CHECK: Bob Yang DATE: 10/31/2017



Antenk® ANTENK ELECTRONICS CO., LTD
 Http://www.antenk.com
 E-mail:sales@antenk.com

TITLE:2.00mm pitch 180° Connector Series

DRAWING NO: AW2011V-NP-X

PRODUCT NO: AW2011V-NP-X

REV	DESCRIPTION	DATE