

HSF

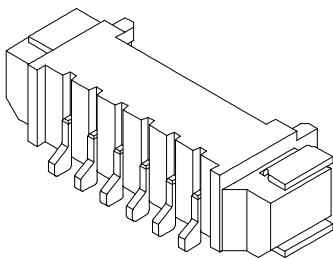
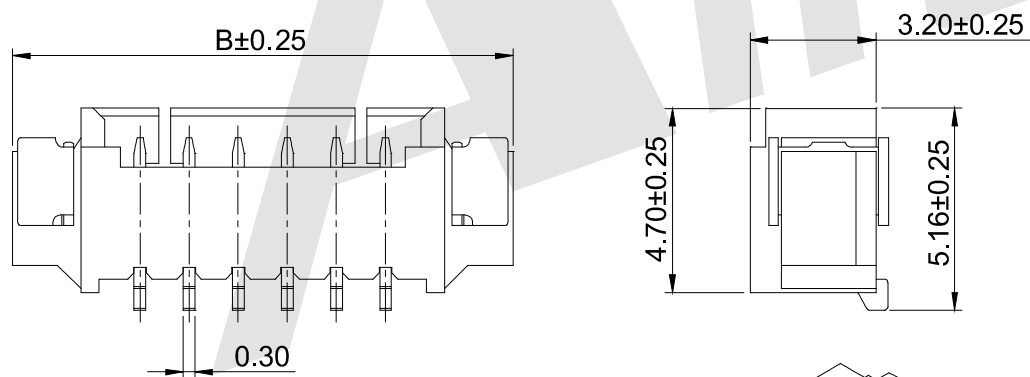
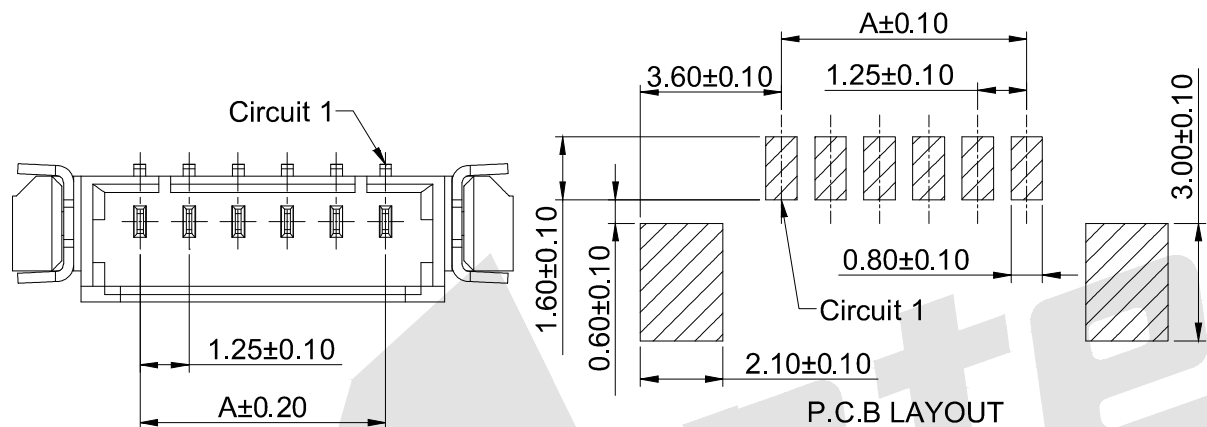


SPECIFICATIONS

- Voltage rating: 125V AC,DC
- Current rating: 1A AC,DC
- Withstanding Voltage: 500V AC/minute
- Insulation resistance:100MΩ min
- Temperature range: -40℃--+105℃

WAFER

- Part NO: AW1251R-S-xP
- Material: Pin: Phosphor Bronze/Tin over Nickel
Solder Tabs:Phosphor Bronze/Tin over Nickel
Insulator: Nylon 6T, UL94V-0
- Mates with: AH1251 series Housing
- Color: Ivory



Ordering Information & Dimensions:

Poles	Part No.	Dimensions (mm)	
		A	B
02	AW1251R-S-02P	1.25	7.75
03	AW1251R-S-03P	2.50	9.00
04	AW1251R-S-04P	3.75	10.25
05	AW1251R-S-05P	5.00	11.50
06	AW1251R-S-06P	6.25	12.75
07	AW1251R-S-07P	7.50	14.00
08	AW1251R-S-08P	8.75	15.25
09	AW1251R-S-09P	10.00	16.50
10	AW1251R-S-10P	11.25	17.75
11	AW1251R-S-11P	12.50	19.00
12	AW1251R-S-12P	13.75	20.25
13	AW1251R-S-13P	15.00	21.50
14	AW1251R-S-14P	16.25	22.75
15	AW1251R-S-15P	17.50	24.00
16	AW1251R-S-16P	18.75	25.25
17	AW1251R-S-17P	20.00	26.50
18	AW1251R-S-18P	21.25	27.75
19	AW1251R-S-19P	22.50	29.00
20	AW1251R-S-20P	23.75	30.25

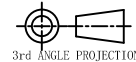
Unit:mm

Unless Otherwise specified tolerance
 X. ±0.35 X.XX: ±0.20
 X.X: ±0.25 X.XXX: ±0.15

Antenk® ANTENK ELECTRONICS CO.,LTD
[Http://www.antenk.com](http://www.antenk.com)
 E-mail:sales@antenk.com

SCALE: As Shown UNIT: mm
 DRAW Jack Bao DATE 11/04/2017
 CHECK Bob Yang DATE 11/04/2017

TITLE: 1.25mm pitch 90° Wafer-SMT Connector Series



DRAWING NO: AW1251R-S-xP

PRODUCT NO: AW1251R-S-xP

REV	DESCRIPTION	DATE