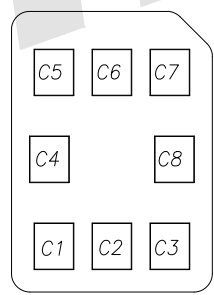
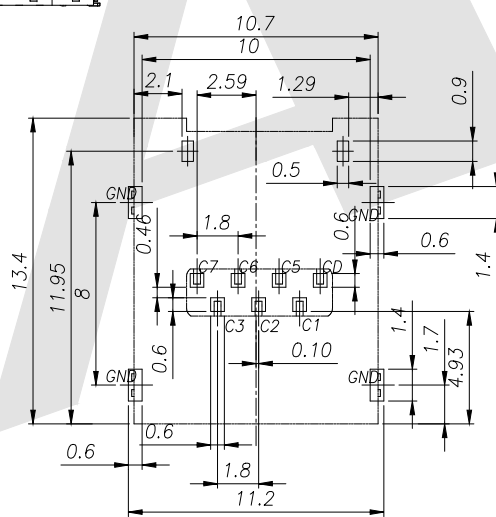
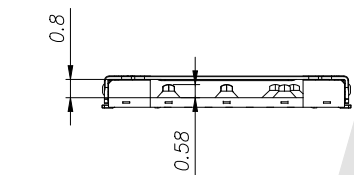


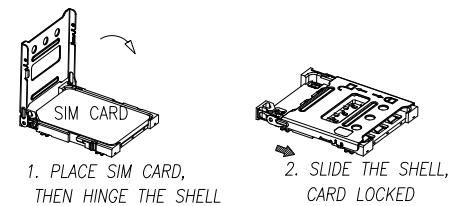
- NOTES:
- MATERIAL:SEE TABLE
  - SPECIALITY:
    - Rated current: 0.5A Max
    - Rated voltage: 30V AC
    - Contact Resistance:100mohm MAX
    - Insulation Resistance:1000Mohm MIN 500V DC
    - Dielectric withstanding voltage: 500V AC/minute.
    - Solder ability:250±5 10±0.5s.
    - Durability:5000 Cycles
    - Mating and Unmating force  
Insertion Force 10N Max  
Withdrawal Fore 0.5N Min



【 SIM Card Pin Assignments 】

PART NUMBER:  
**ATK-NSIM140A001**  
 SERIES NUMBER  
 Packing  
 A: Tray  
 T: Tube  
 R: Tape&Reel  
 140=1.40mm HEIGHT  
 ATK- COMPANY NAME

PIN	Name
C1	Vcc
C2	RST
C3	CLK
C4	Reserved
C5	GND
C6	Vpp
C7	I/O
C8	Reserved



RECOMMENDED PCB LAYOUT TOP VIEW (TOLERANCE:±0.05)  
 RECOMMENDED MATAL MASK T=0.12MM

Unless Otherwise specified tolerance  
 X.±0.35 X.XX: ±0.20  
 X.X: ±0.25 X.XXX: ±0.15

**Antenk**® ANTENK ELECTRONICS CO.,LTD  
 Http://www.antenk.com  
 E-mail:sales@antenk.com

SCALE: As Shown UNIT: mm  
 DRAW: ZLA DATE: 24/05/2022  
 CHECK: BobYang DATE: 24/05/2022

TITLE:  
 NANO Series 1.40mm Height Connector  
 DRAWING NO: ATK-NSIM140A001  
 PRODUCT NO: ATK-NSIM140A001



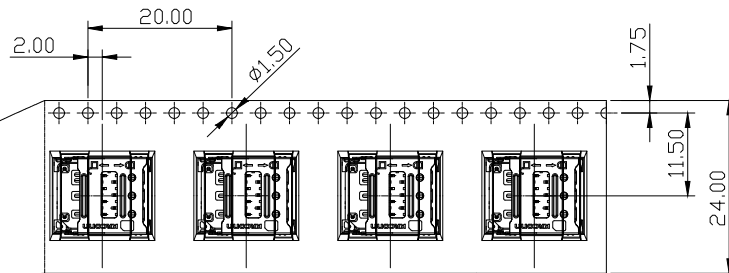
REV	DESCRIPTION	DATE
1		
2		
3		
4		
5		

HSF



RoHS

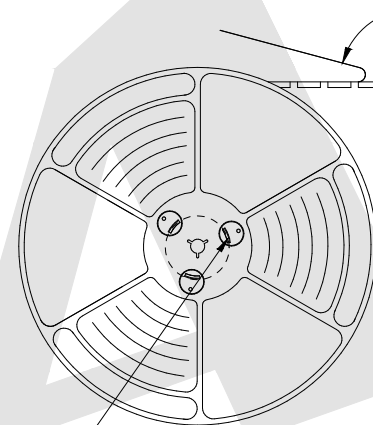
User Direction of Unreeling



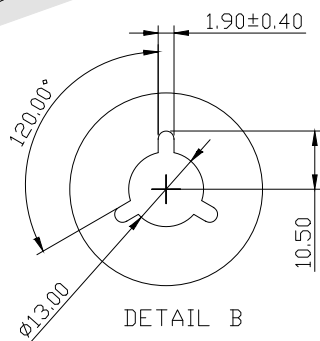
COVER TAPE PEELING ANGLE:165°~180°  
PEELING FORCE:20~130g

CARRIER TAPE

User Direction of Unreeling



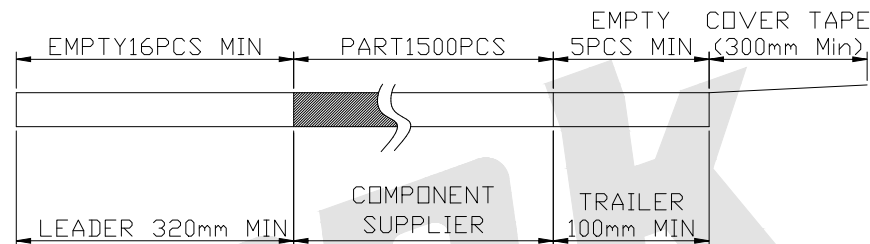
DETAIL-B



DETAIL B

NOTES

1. NUMBER OF CONNECTORS:1500 PCS/REEL
2. LEAD TAPE LENGTH



3. QUANTITY:10,000PCS/CARTON
4. WEIGHT :
  - 3.1 NET WEIGHT : 2.4Kg
  - 3.2 GROSS WEIGHT : 6.5Kg

4-TRIANGLE PARTITION  
380\*235\*5 K3K

10-REEL

(2PCS) PEARL WOOL

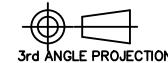
TAPE ON

LABEL

CARTON  
335\*335\*250 K=K

Unless Otherwise specified tolerance  
X.±0.35 X.XX: ±0.20  
X.X: ±0.25 X.XXX: ±0.15

SCALE: As Shown UNIT: mm  
DRAW ZLA DATE 24/05/2022  
CHECK BobYang DATE 24/05/2022



**Antenk**® ANTENK ELECTRONICS CO.,LTD  
Http://www.antenk.com  
E-mail:sales@antenk.com

TITLE:  
NANO Series 1.40mm Height Connector

DRAWING NO: ATK-NSIM140A001

PRODUCT NO: ATK-NSIM140A001

REV	DESCRIPTION	DATE
1		
2		
3		
4		
5		