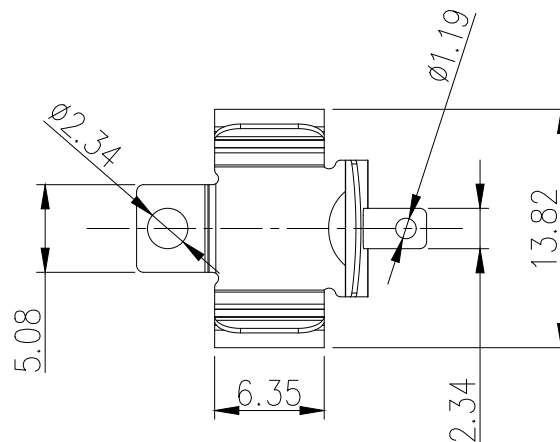
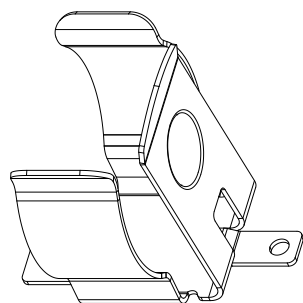


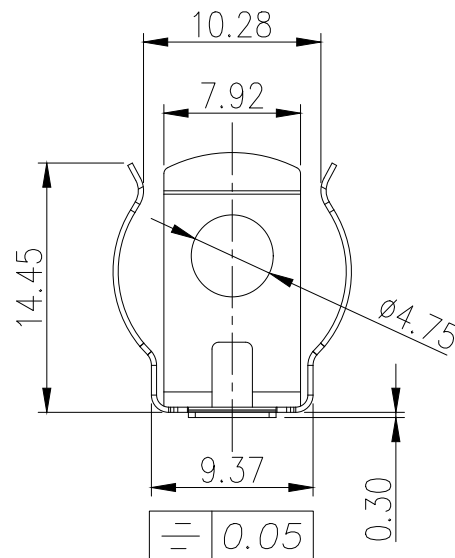
HSF



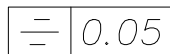
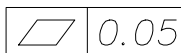
NOTES:
 1.MATERIAL: ANNEALED SPRING STEEL,T=0.25mm.
 2.PLATING:
 80U" Min TIN PLATED OVERALL
 50U" Min NICKEL PLATED UNDER OVERALL
 3.THIS PRODUCT IS SUITABLE FOR A&&AA BATTERY HOLDER

BS - M - XX - X - 53
 ① ② ③ ④ ⑤

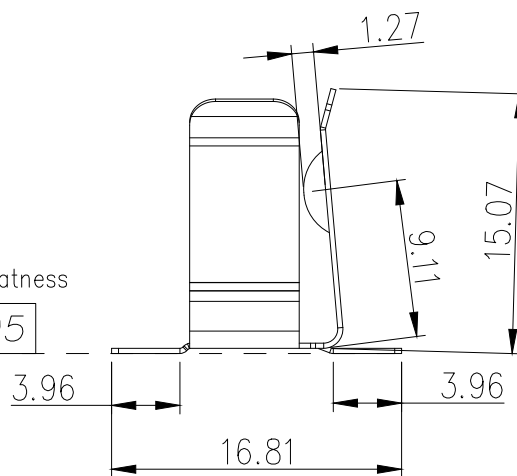
- ① BS: Battery Contacts
- ② Apperance for the product
M: SMT TYPE
- ③ Contact Plating
SI: NICKEL PLATE
SN: Tin
- ④ Packing method
R: Tape & reel packing
B: Bag packing
- ⑤ Product number
53



Bottom surface flatness



Adjust after bend



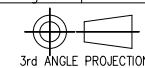
Unless Otherwise specified tolerance
 X.±0.30 X.XX:±0.15
 X.X:±0.20 X.XXX:±0.05

Antenk® ANTENK ELECTRONICS CO.,LTD
 Http://www.antenk.com
 E-mail:sales@antenk.com

SCALE: As Shown	UNIT: mm
DRAW Jacky	DATE 28/07/2020
CHECK BobYang	DATE 28/07/2020

TITLE:
A&AA Battery Contacts 53

DRAWING NO: BS-M-XX-X-53
 PRODUCT NO: BS-M-XX-X-53



REV	DESCRIPTION	DATE