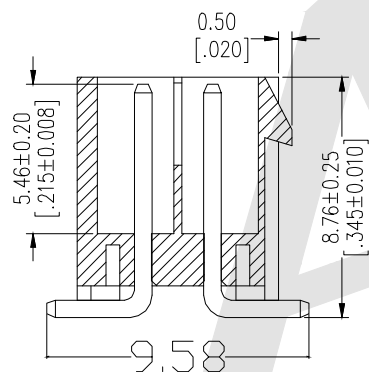


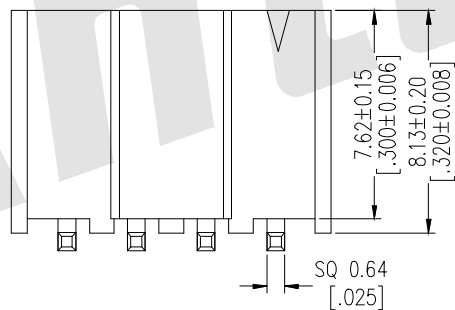
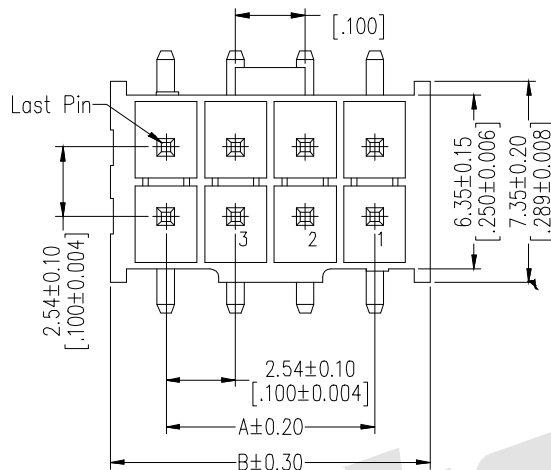
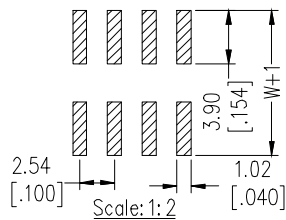


Ordering information:
AW2553V-S-2xNP

NO. of Pin



Recommended P.C.B Layout(Top Side)
(PCB BOARD TOLERANCE±0.05)



Specifications

Voltage Rating:250V AC/DC

Current Rating:3A AC/DC

Withstanding Voltage:1000V AC/Minute

Insulation Resistance:1000MΩ Min

Temperature Range: -55℃--+125℃

Contact Resistance: 20mΩ Max

Contact Material: Brass

Contact Plating: Au or Sn Over Ni

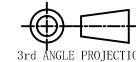
Insulation Material: LCP+30%GF UL94V-0

Ordering Information

Circuit	Part No.	Dimension	
		A	B
2x02	AW2553V-S-2x02P	2.54	6.60
2x03	AW2553V-S-2x03P	5.08	9.14
2x04	AW2553V-S-2x04P	7.62	11.68
2x05	AW2553V-S-2x05P	10.16	14.22
2x06	AW2553V-S-2x06P	12.70	16.76
2x07	AW2553V-S-2x07P	15.24	19.30
2x08	AW2553V-S-2x08P	17.78	21.84
2x09	AW2553V-S-2x09P	20.32	24.38
2x10	AW2553V-S-2x10P	22.86	26.92
2x11	AW2553V-S-2x11P	25.40	29.46
2x12	AW2553V-S-2x12P	27.94	32.00
2x13	AW2553V-S-2x13P	30.48	34.54
2x14	AW2553V-S-2x14P	33.02	37.08
2x15	AW2553V-S-2x15P	35.56	39.62
2x16	AW2553V-S-2x16P	38.10	42.16
2x17	AW2553V-S-2x17P	40.64	44.70
2x18	AW2553V-S-2x18P	43.18	47.24
2x19	AW2553V-S-2x19P	45.72	49.78
2x20	AW2553V-S-2x20P	48.26	52.32
2x21	AW2553V-S-2x21P	50.80	54.86
2x22	AW2553V-S-2x22P	53.34	57.40
2x23	AW2553V-S-2x23P	55.88	59.94
2x24	AW2553V-S-2x24P	58.42	62.48
2x25	AW2553V-S-2x25P	60.96	65.02

Unless otherwise specified tolerance
X. ±0.35 X.XX: ±0.20
X.X: ±0.25 X.XXX: ±0.15

SCALE: As Shown UNIT: mm
DRAW Jack Bao DATE 11/24/2018
CHECK Bob Yang DATE 11/24/2018



ANTENK ELECTRONICS CO., LTD
Http://www.antenk.com
E-mail:sales@antenk.com

TITLE: 2.54mm pitch 180° Wafer-SMT Double Row Connector series

DRAWING NO:AW2553V-S-2xNP

PRODUCT NO:AW2553V-S-2xNP

REV

DESCRIPTION

DATE

1

2

3

4 n

5

6

7

8