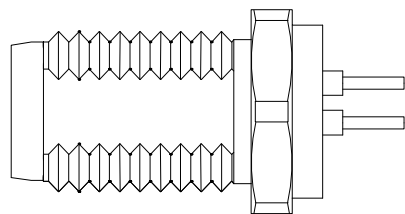


HSF



ROHS



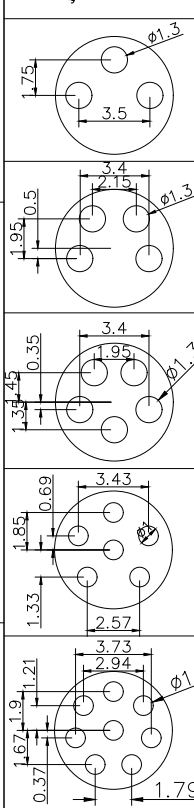
| | | | | | | |
|------|--------|--------|--------|--------|--------|--------|
| | 2 Pin | 3 Pin | 4 Pin | 5 Pin | 6 Pin | 8 Pin |
| Pin | | | | | | |
| CODE | A-CODE | A-CODE | A-CODE | B-CODE | A-CODE | A-CODE |

Order Code:

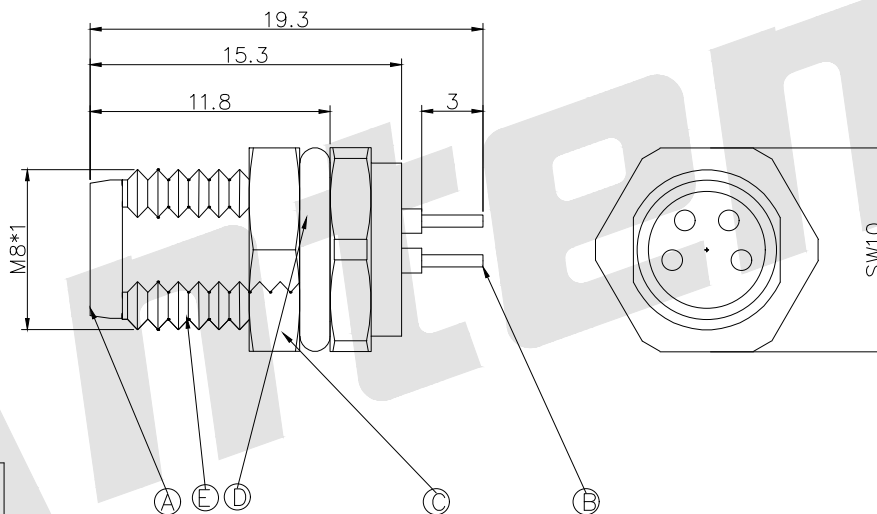
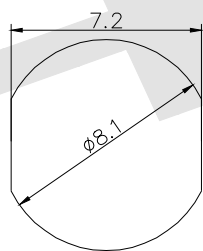
M802 - XP - M - 004
 ① ② ③ ④

- ① Type of M series : M802
- ② NO. of PINS: 02~08
- ③ Gender option: Male
- ④ Series number: 004

PCB Layout Reference



Recommended Panel Cut-out



| | | | |
|--------------------|-----------|-----------------------|----------------------------------|
| Engagement force | ≤30N | Rated voltage | 2-5pin: 60v DC 6-8pin: 30V DC |
| Isengagement force | ≥5N | Rated current | 2-5pin: 4A 6-8pin: 2A |
| echanical lifespan | ≥500 | Insulation resistance | ≥1000 MΩ |
| IP rating | IP67/IP68 | Contact resistance | ≤10mΩ |
| Flammability | UL94 v-0 | Operation Temperature | -40 T0+105℃ |

| | | | |
|------|-----------|-----|--------------------|
| E | Over Mold | 1 | NICKL PLATED BRASS |
| D | O RING | 1 | SILIGONE RED |
| C | NUT | 1 | NICKL PLATED BRASS |
| B | male PIN | / | GOLD PLATED BRASS |
| A | BODY | 1 | PA66+GF BLACK |
| Item | PART NAME | QTY | MATERIAL /FINISH |

Unless Otherwise specified tolerance
 X.±0.35 X.XX:±0.20
 X.X:±0.25 X.XXX:±0.15

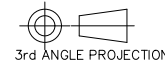
SCALE: As Shown UNIT: mm
 DRAW ZLA DATE 24/05/2022
 CHECK BobYang DATE 24/05/2022

Antenk® ANTENK ELECTRONICS CO.,LTD
 Http://www.antenk.com
 E-mail:sales@antenk.com

TITLE: M8 2~8P Male Waterproof Board Side Lock Front Panel DIP 180° SW10

DRAWING NO: M802-XP-M-004

PRODUCT NO: M802-XP-M-004



| | | |
|-----|-------------|------|
| REV | DESCRIPTION | DATE |
|-----|-------------|------|